

Stand for Wall Clock and Wall Mounted CD Player Silver

Model Number MJ-1601

User's Manual

- Thank you for your purchase.
- Keep this User's Manual for future reference.
- Read this User Manual before using this product.

Table of Contents	Pages
Safety Advice	2
Included Parts	3
Assembly and Usage	4

User's Manual Serial No. MJ-1601-1

Safety Advice **These instructions must be followed.**

Read and comply with these instructions to avoid physical harm or injury.

■ These symbols indicate the degree of injury or damage that may arise when the product is used incorrectly.



Warning

Indicates a hazard which, if not avoided, could result in death or serious injury.



Caution

Indicates a hazard which, if not avoided, could result in damage.

■ These symbols indicate instructions for the user. (The following symbols are examples.)



Actions that are prohibited.



Actions that are mandatory.



Warning



- Do not use on an unstable or unbalanced surface (on the end of a table or shelf, etc.). Doing so may result in the product falling, causing injury or damage.
- Do not insert screws in the direction opposite from that shown in Assembly and Usage. Doing so may result in the product falling, causing injury or damage.
- Do not use in a location that is not horizontal, a location that is slanted, or a slippery location. The product may slide and fall, causing injury or damage.



Caution



- This product is designed to be used with MUJI Wall Clocks, Hanging Clocks, Wall Mounted CD Player (CPD-2, CPD-3, CPD-4), and Wall Mounted Bluetooth Speaker (MJBTS-1). For your safety, do not use this product with any other clocks, CD players, or Bluetooth speakers.
- Follow the instructions related to usage environment and installation environment in this User's Manual for each product.



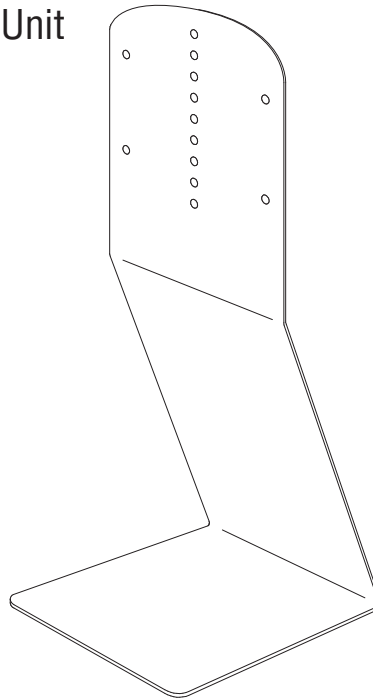
Assembly Cautions



- Use a Phillips head screwdriver (equivalent to JIS #2; 6mm diameter) to assemble this product.
[For Wall Clock and Hanging Clock]
- Adjust the distance that the the screw protrudes as indicated in the clock's User's Manual.
- See the User's Manual for instructions on hanging the clock.
- If the clock falls forward when hung, adjust the distance that the screw protrudes. However, be sure to leave enough protuberance for hanging the clock.
- The 4 screw holes, 2 on the left and 2 on the right, are designed specifically for the Wall Mounted CD Player and the Wall Mounted Bluetooth Speaker.
[For Wall Mounted CD Player and Wall Mounted Bluetooth Speaker]
- The wall mount plate for the Wall Mounted CD Player and Wall Mounted Bluetooth Speaker has a specific installation direction. Correctly install by following the instructions in this User's Manual.
- See the respective User's Manuals for the Wall Mounted CD Player and Wall Mounted Bluetooth Speaker for Wall Mounted CD Player and Wall Mounted Bluetooth installation instructions.

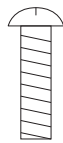
Included Parts

Main Unit

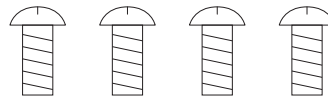


Accessories

For Wall Clock
Installation screw x 1 (M4 x 25)



For Wall Mounted CD Player
For Wall Mounted Bluetooth Speaker
Installation screw x 4 (M4 x 15)



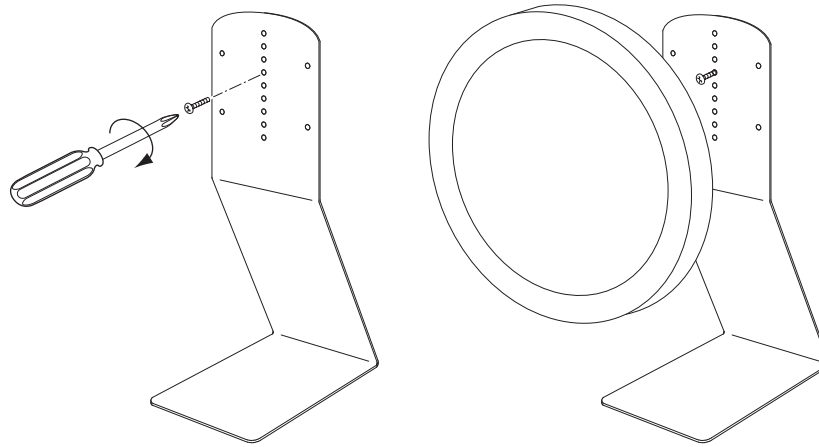
Specifications

Size	10cm wide x 15cm long x 28cm high (3.94in wide x 5.91in long x 11.02in high)
Weight	Approx. 800g(1.76lb)
Materials	STEEL

Assembly and Usage

◎For Wall Clock and Hanging Clock

Use the M4×25 installation screw and screw into one of the nine screw holes lined up along the centre of the stand according to the size and hanging position of the clock with a phillips screwdriver.



◎For Wall Mounted CD Player and Wall Mounted Bluetooth Speaker

First, use 4 M4×15 installation screws to install the wall mount plate, on to the main unit with a phillips screwdriver, and then install the Wall Mounted CD Player or Wall Mounted Bluetooth Speaker on to the wall mount plate.

