

STACKING SHELF / WIDE TYPE / 5 SHELVES / OAK
STACKING SHELF / WIDE TYPE / 3 SHELVES / OAK
STACKING SHELF / WIDE TYPE / 2 SHELVES / OAK
STACKING SHELF / WIDE TYPE / 5 SHELVES / WALNUT
STACKING SHELF / WIDE TYPE / 3 SHELVES / WALNUT
STACKING SHELF / WIDE TYPE / 2 SHELVES / WALNUT

组合式木架/宽型/5层/白橡木
组合式木架/宽型/3层/白橡木
组合式木架/宽型/2层/白橡木
组合式木架/宽型/5层/胡桃木
组合式木架/宽型/3层/胡桃木
组合式木架/宽型/2层/胡桃木

User Guide

组装 / 使用说明书

English

Thank you for your purchase.
Read these instructions from Page 1.

中文

本次承蒙惠购本产品，在此深表感谢。
请从第十六页开始阅读。

Regular Type

Standard Set

MUJI 無印良品

Retain for future reference

STACKING SHELF / WIDE TYPE / 5 SHELVES / OAK
STACKING SHELF / WIDE TYPE / 3 SHELVES / OAK
STACKING SHELF / WIDE TYPE / 2 SHELVES / OAK
STACKING SHELF / WIDE TYPE / 5 SHELVES / WALNUT
STACKING SHELF / WIDE TYPE / 3 SHELVES / WALNUT
STACKING SHELF / WIDE TYPE / 2 SHELVES / WALNUT

User Guide

Thank you for your purchase.

Read the User Guide before use to ensure correct use and assembly of this product.

Please store this User Guide in an easily accessible place for future reference.

Table of Contents	Pages
Important Information (Safety Advice)	2 - 4
Parts	4 - 5
Part Names	6
Assembly Instructions	7 - 9
Attaching the Anti-tip Fittings	10 - 11
Directions for Use	12 - 13
Care Instructions	13
Usage	14
Specifications	15
Contact Information	15

2017. 3. 22

Important Information (Safety Advice)



These instructions must be followed.

This User Guide contains important information for the safe use of this product in order to prevent harm to the user and others or damage to the property.

Please note the following contents (indications and graphic symbols) before reading the main contents of this User Guide, and follow the instructions given.

- Explanations of Indications

The degrees of injury and damage that may arise when the product is used incorrectly are classified and explained with the following symbols.

 Warning	Indicates a hazard with a level of risk which, if not avoided, could result in death or serious injury* ¹ to the user.	 Caution	Indicates a hazard with a level of risk which, if not avoided, could result in injury* ² to the user or property damage* ³ .
--	---	--	--

- Explanations of Graphic Symbols



Instructions are given in the form of the following graphic symbols. (Examples of graphic symbols are as follows.)

 DON'Ts: Actions that are prohibited.	 DOs: Actions that must be taken.
--	--


*1 "Serious injury" indicates blindness, injuries, burns, bone fractures, poisoning, or electric shocks which have long term effects and require hospitalisation and / or long-term hospital visits for treatment.

*2 "Injury" indicates injuries or burns which do not require hospitalisation or long-term hospital visits for treatment.



*3 "Property damage" indicates expanded damage that involves the house or household property.

 Warning	
 DON'Ts	<ul style="list-style-type: none"> • Do not allow children to hang from or climb on the product. Doing so may result in injury due to the product tipping over or becoming damaged. • Do not sit or stand on this product or use it as a stepladder. Doing so may result in injury due to the product tipping over or becoming damaged. • Do not store items only in the top section. Doing so may cause the product to become unbalanced and unstable, resulting in the product tipping over and causing injury. • Do not place heavy objects on top of the product. Doing so may result in the items falling off in the event of an earthquake, etc., or may cause the unit to fall resulting in injury. • Do not use near a heating appliance such as a heater. Doing so may cause fire. • Do not place the product on the power cord of an electrical appliance. Doing so may damage the cord, resulting in electric shock or fire. • Stop using this product immediately if it is damaged. Continued use of the product when damaged may result in injury. • Do not assemble this product without parts such as the steel pipes or side panels. Doing so may cause damage or deformation to the product or injury due to insufficient product strength. • Do not install the product horizontally. Doing so may weaken the strength of the product, resulting in injury due to damage to the product. • Do not place small items such as bolts, spacers, box nuts, felt and wood screws within reach of small children. Doing so may result in the child swallowing them by mistake or suffocating. • Do not keep unwanted packaging materials within reach of infants. Infants may accidentally pull packaging materials over the mouth or nose, causing suffocation. <p>[About the Provided Anti-tip Fittings]</p> <ul style="list-style-type: none"> • Do not use as earthquake-resistant fittings. If an excessive load is placed on the product due to the vibration caused by an earthquake or leaning on the product, the fittings may get detached causing the product to tip over, resulting in injury. • Do not use the provided anti-tip fittings or wood screws if they are damaged or deformed. The fittings or screws may be weak in this state, causing the product to tip over resulting in injury.

Warning

 DOs	<ul style="list-style-type: none"> ● When placing AV equipment on the product, be sure to read the user manual of the AV equipment before installation. Be sure to leave sufficient space for ventilation around the product. Failure to do so may cause the electrical products to malfunction or result in fire. ● Securely attach this product to the wall, ceiling and / or floor of a building using earthquake-proof metal fittings or fixing components. If excess load is placed on the products due to an earthquake, the product may fall resulting in injury. <p>[About the Provided Anti-tip Fittings]</p> <ul style="list-style-type: none"> ● The provided anti-tip fittings must be installed as they are important for preventing the product from rocking or deforming during normal use when putting in and taking out items. Using the products without the fittings attached may cause the products to tip over during use, resulting in injury. ● When fixing the provided anti-tip fittings to the wall, check the condition of the wall and use the correct type of screw for the wall material. Using the wrong type of screw may result in insufficient strength, resulting in the product tipping over causing damage or unexpected injury. ● Check that the screws used to fix the product to the wall are screwed in fully and securely, and periodically check them to ensure they do not become loose. Also, be sure to check them after the product is subjected to strong vibrations or shaking such as due to an earthquake, or if the product is subjected to impact. If the screws are found to be loose, change the installation position of the anti-tip fittings and attach them again. Continuing use when the screws are loose may cause the product to wobble excessively or deform, and may cause the product to fall resulting in damage or unexpected injury.
--	--

Caution

 DON'Ts	<ul style="list-style-type: none"> ● Do not use the product unless fully assembled. Fixed parts may become detached, resulting in injury. ● Do not drag the product when moving it. Doing so may cause damage to the product or scratches to the floor. ● Use this product only for its intended purpose. Failure to do so may result in unexpected accident or injury. ● Do not place heavy items that exceed the withstand load on the product, or place items within the withstand load on just one side of the product. Doing so may cause deformation or damage to the product, resulting in injury. ● Do not attempt to repair or modify the product. Doing so may weaken the strength of the product, resulting in injury. ● Do not apply an excessive load to the top board or one part of the product. Doing so may cause damage or deformation, etc. ● Do not use the product outside. This may result in injury from deformation or degradation of the product.
 DOs	<ul style="list-style-type: none"> ● Ventilate the room well in the beginning of product use. Wooden materials that emit as little formaldehyde as possible are used. However, formaldehyde may still remain, and those with chemical sensitivity or infants may experience an allergic reaction. ● When assembling the product, ensure there is enough space for assembly and lay a sheet / rug under the product so that it does not scratch the floor or furniture. ● The product must be assembled by two or more people. Assembling the product alone may result in injury due to damage to the product or the product falling. ● Be careful not to get fingers or hands caught when assembling or installing this product. ● When moving the product, remove any items stored in the product. The product must be moved by two or more people. Pulling the product or attempting to move alone may result in injury or damage to the product. ● When relocating the unit for a move or relocating to a different room, or different floor, disassemble the unit before the relocation. Failure to do so may result in the joint sections of the steel pipes becoming loose, resulting in damage to the product or injury. ● Periodically inspect the installation condition of the bolts and steel pipes for looseness, and re-tighten if any looseness is found. Continued use with loose condition may result in damage to the product or injury.

Important Information (Safety Advice)

These instructions must be followed. (Cont'd)

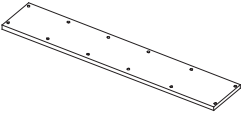
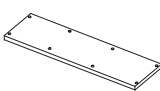
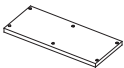



Note (Other Cautions)

- Do not store for a long period of time in a hot (approx. temperature 35°C or higher) or dry (approx. humidity 30% or lower) location. Doing so may cause warping, deformation or cracks in the product.
- Do not place hot or wet items directly on the product. Doing so may cause warping, cracks or deformation.
- Do not expose the product to direct sunlight, lighting or heated air from appliances such as a heater or air conditioner. Doing so may cause warping, cracks or discolouration.
- Do not place vinyl items on this product for a long period of time. Doing so may result in discolouration or peeling of the coating.
- Do not wipe with a cloth that contains an organic solvent such as thinner for maintenance. Doing so may cause deformation or discolouration.
- Install in a level and stable place. Using the product in an unstable place may distort or damage the product.
- When using a heating appliance, be sure to keep the room at an appropriate temperature and humidity level. Using heating appliances during the winter season may cause the room to become extremely dry, resulting in cracking or warping of natural wood.
- To dispose of the packaging material after unpacking, follow the rules implemented by your local government.

Parts

Applies to both OAK / WALNUT models
















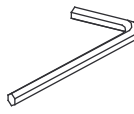
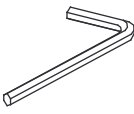
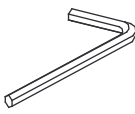
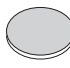
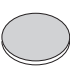
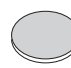
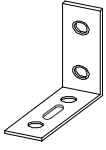
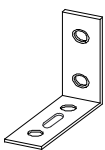
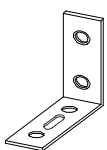



* Each list applies to both oak and walnut models.

Set Types Part Name	Wide Type / 5 Shelves (Standard Set)	Wide Type / 3 Shelves (Standard Set)	Wide Type / 2 Shelves (Standard Set)
Ⓐ Side Panel	* Holes pass through  × 2	* Holes pass through  × 2	* Holes pass through  × 2
Ⓑ Partition	 × 6	 × 4	 × 3

Parts (Cont'd)

Applies to both OAK / WALNUT models

* Each list applies to both oak and walnut models.

Fitting Parts			
Set Types Part Name	Wide Type / 5 Shelves (Standard Set)	Wide Type / 3 Shelves (Standard Set)	Wide Type / 2 Shelves (Standard Set)
Ⓐ Steel Pipe	 × 24	 × 16	 × 12
Ⓑ Bolt	 × 12	 × 8	 × 6
Ⓒ Spacer	 × 12	 × 8	 × 6
Ⓓ Box Nut	 × 12	 × 8	 × 6
Ⓔ Felt	 × 4	 × 4	 × 4
Ⓕ Hexagonal Wrench (4mm)	 × 1	 × 1	 × 1
Ⓖ Sliced Veneer Sticker	 × 32	 × 24	 × 20
Ⓗ Anti-tip Fitting*1	 × 2	 × 2	 × 2
Ⓘ Wood Screw*2, *3	 × 4	 × 4	 × 4

*1 Screws required for attaching the Ⓗ anti-tip fittings to the wall are not included. Please prepare the correct type of screw for the installation location.

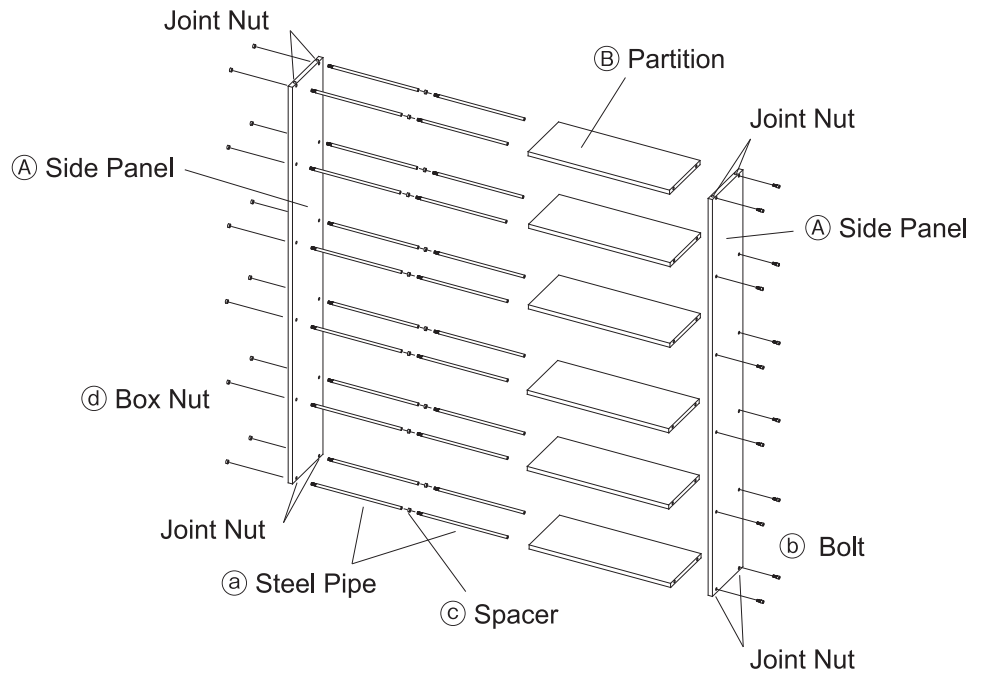
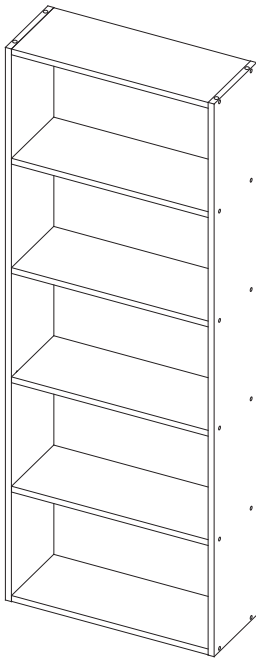
*2 These wood screws are used to attach the Ⓗ anti-tip fittings to the product.

*3 Use a commercially available cross head screwdriver to attach the Ⓘ wood screws.

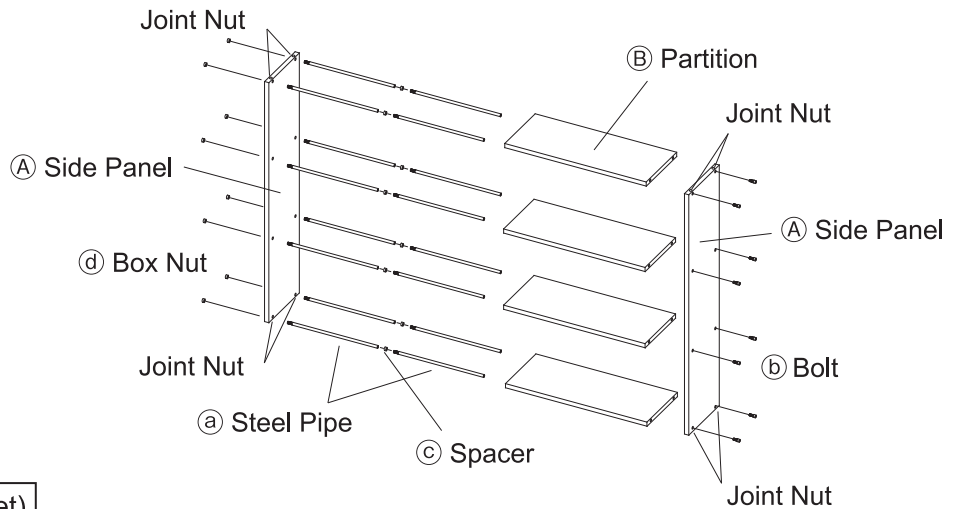
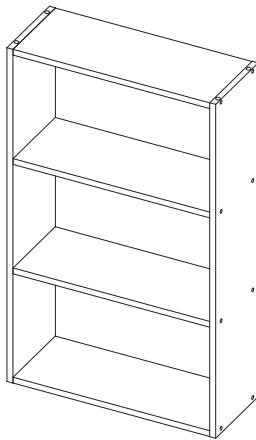
Part Names

Applies to both OAK / WALNUT models

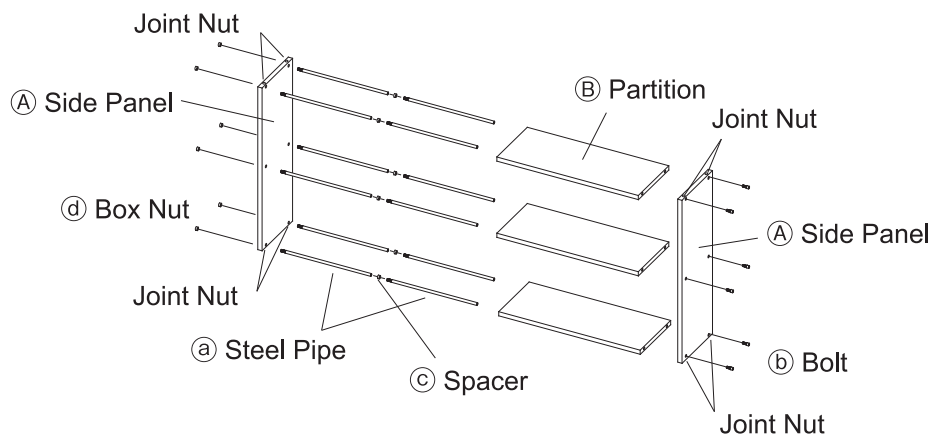
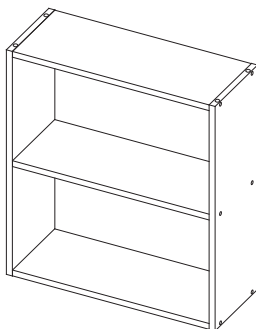
Wide 5 Shelves (Standard Set)



Wide 3 Shelves (Standard Set)



Wide 2 Shelves (Standard Set)




Applies to **WIDE TYPE / 5 SHELVES** , **WIDE TYPE / 3 SHELVES** and **WIDE TYPE / 2 SHELVES** models

Assembly Instructions

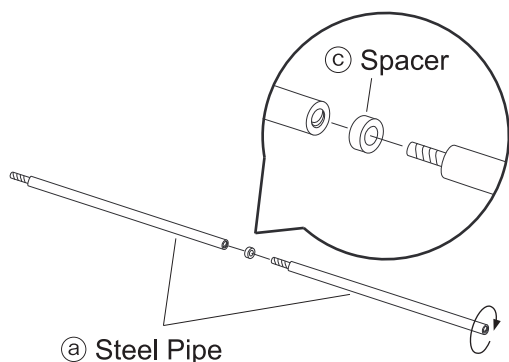
Applies to both **OAK** / **WALNUT** models

* Assembly instructions apply to both oak and walnut models.

* Please note the assembly methods for **5 Shelves** , **3 Shelves** and **2 Shelves** models are the same but the quantity of parts is different.

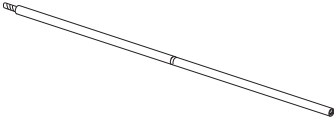
 Caution	<ul style="list-style-type: none"> • The product must be assembled by two or more people. You may be unable to support parts or find parts difficult to attach, resulting in damage to the parts or injury if any parts are dropped. • Do not use power tools to assemble the product. Use the provided hexagonal wrench. Using power tools may cause parts to be over-tightened, resulting in damage to the product. • Re-tighten all bolts approximately one week after assembly. Bolts may become loose at the start of use, and continued use with loose bolts may result in damage or injury.
---	---

1 Connect two (a) steel pipes using one (c) spacer so there is no looseness.*

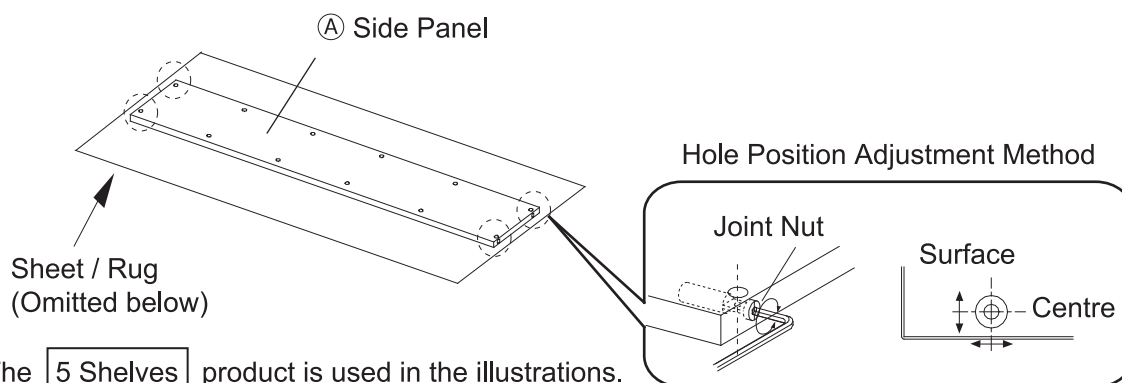


* The steel pipes to be connected differ depending on the number of shelves.

5 Shelves	12 (24 (a) steel pipes + 12 (c) spacers)
3 Shelves	8 (16 (a) steel pipes + 8 (c) spacers)
2 Shelves	6 (12 (a) steel pipes + 6 (c) spacers)



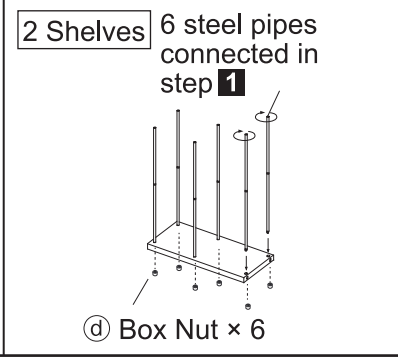
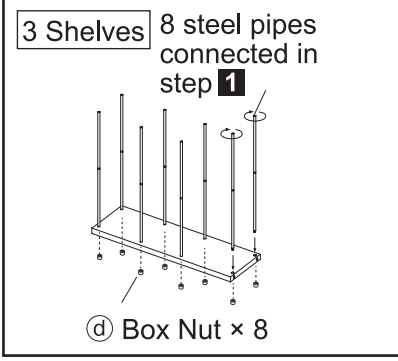
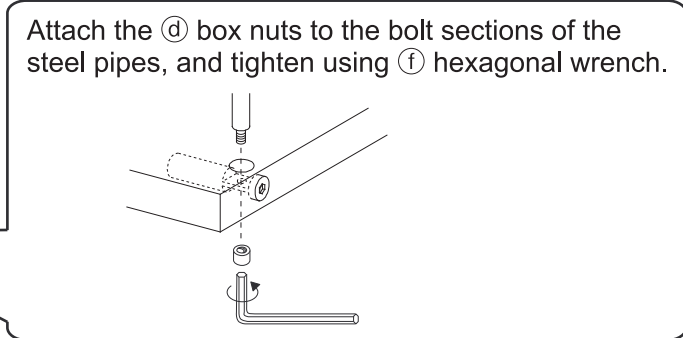
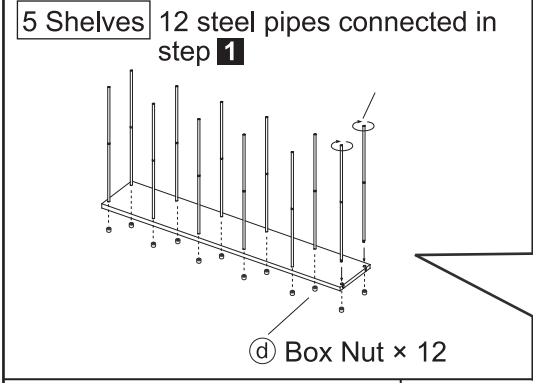
2 Place the (A) side panel on a sheet / rug, and adjust as shown in the figure so that the joint nut holes at the four corners are at the centre of the panel holes.



* The **5 Shelves** product is used in the illustrations.

Assembly Instructions (Cont'd)

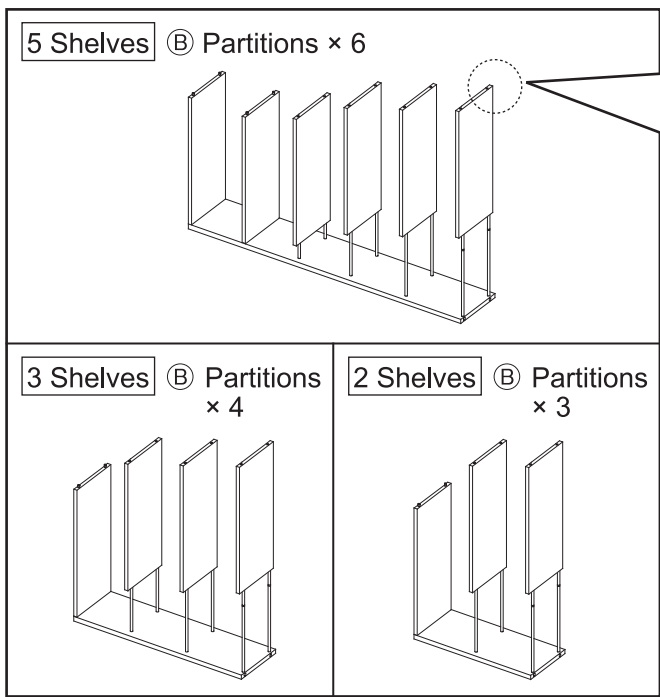
3 Pass the bolt section of the steel pipes connected in step **1** through the through holes on **(A)** side panel, and then use the **(d)** box nuts and **(f)** hexagonal wrench to tighten from underneath.



Caution

Tighten the steel pipes without any tools until they are not loose. Over-tightening them using tools may cause damage to the product or injury.

4 Pass the **(B)** partition onto the attached steel pipes.



Note (Other Cautions)

Use the **(f)** hexagonal wrench to feel for the steel pipe while passing it through. Trying to force the pipe through will cause damage to the product.

* Some wood shavings may be created during this process. This does not cause any issues when using this product.

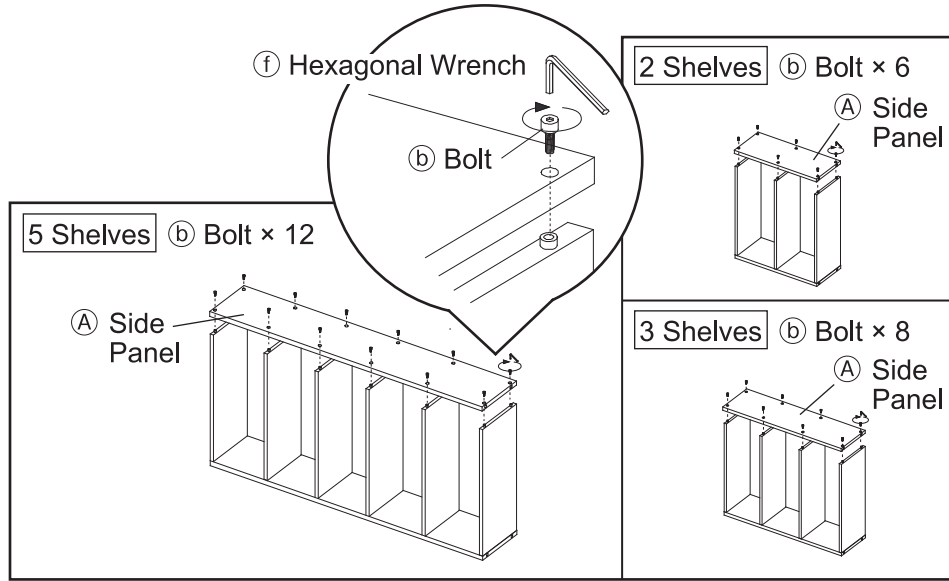
When Assembling the Additional Set (Sold Separately)

When assembling and connecting an Additional Set (sold separately), do not connect the **(B)** bolts in the following step **5** **(2)**. Instead, refer to the step **2** in the User Guide provided with the Additional Set.

Assembly Instructions (Cont'd)

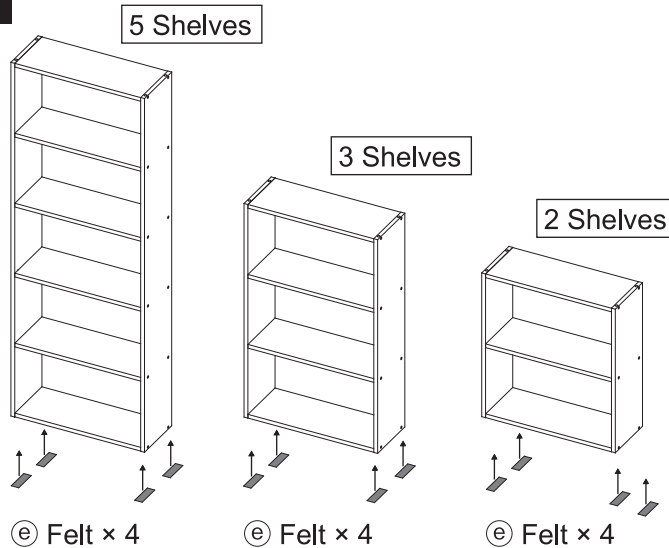
5

- Align the holes on the (A) side panel with the positions of the steel pipes and attach it to the pipes.
- Attach (b) bolts to all of the holes, and tighten using the (f) hexagonal wrench.



6

Attach the (e) felt to the bottom side as shown in the illustrations. Then get the shelf upright.



Caution

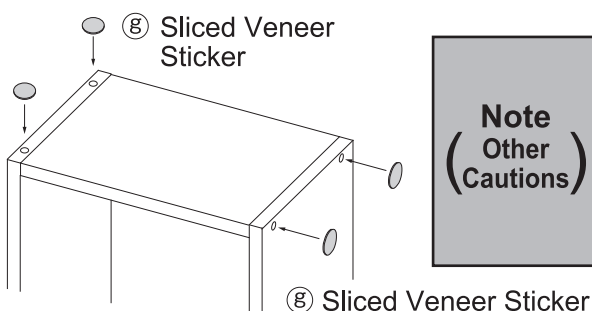
Wide type products cannot be installed horizontally. Doing so may weaken the strength of the product, causing damage or injury.

Caution

- Use (e) felt to protect the floor surface.
- Remove any foreign matter such as dust from the attachment surface before attaching the felt. Foreign matters reduce the adhesive strength of the felts.
- Press the whole pad firmly with your finger to ensure even adhesion.

7

Attach (g) sliced veneer stickers to parts where bolts, box nuts and joint nuts are visible. If preferred, attach the stickers to places where metal can be seen on the surface of the product with the grain of the sticker aligned with the wood grain.



Note
(Other
Cautions)

- Attach the (g) sliced veneer stickers one week after procedure 6, when re-tightening all of the bolts. Sliced veneer may be peeled off from the surface of the product when removing the sliced veneer stickers.
- There may be differences in the grain and colour of sliced veneer stickers because natural wood is used.

Completed

Attaching the Anti-tip Fittings



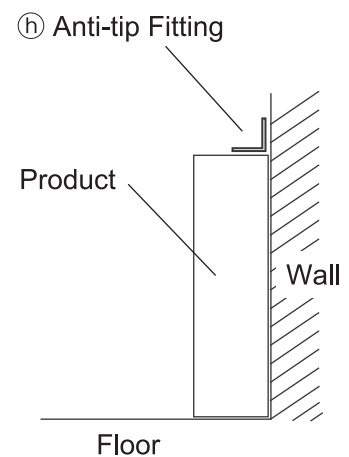
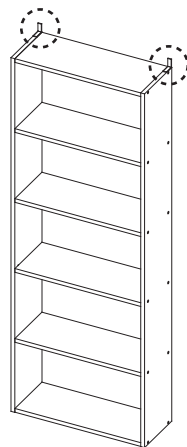
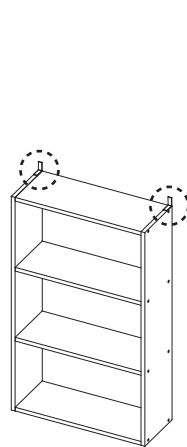
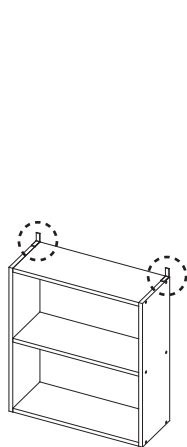
- Be sure to follow the procedure below to securely fix the product to the wall.
- These auxiliary parts are important for preventing the product from rocking or deforming during general use when putting in and taking out items.
(Please note these are not earthquake-resistant fittings.)

(Example installation)

Wide Type /
2 Shelves

Wide Type /
3 Shelves

Wide Type /
5 Shelves



* Fix the product on the wall as shown in the figure above.

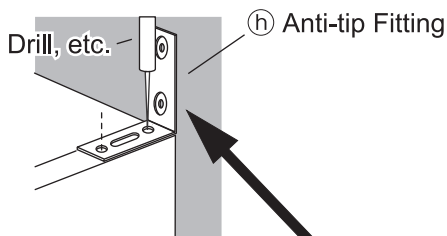
Warning

 DON'Ts	<ul style="list-style-type: none"> • Do not use as earthquake-resistant fittings. If an excessive load is placed on the product due to the vibration caused by an earthquake or leaning on the product, the fittings may detach causing the product to tip over, resulting in injury. • Do not use the provided anti-tip fittings or wood screws if they are damaged or deformed. The fittings or screws may be weak in this state, causing the product to tip over resulting in injury.
 DOs	<ul style="list-style-type: none"> • Be sure to attach the anti-tip fittings. Using the products without the fittings attached may cause the products to tip over during use, resulting in injury. • When fixing the provided anti-tip fittings to the wall, check the condition of the wall and use the correct type of screws for the wall material. Using the wrong type of screws may result in insufficient strength, resulting in the product tipping over causing damage or unexpected injury. • Check that the screws used to fix the product to the wall are screwed in fully and securely, and periodically check them to ensure they do not become loose. Also, be sure to check them after the product is subjected to strong vibrations or shaking due to an earthquake, etc., or if the product is subjected to impact. If the screws are found to be loose, change the installation position of the anti-tip fittings and attach them again. Continuing use when the screws are loose may cause the product to shake excessively or deform, and may cause the product to fall resulting in damage or unexpected injury.

Attaching the Anti-tip Fittings (Cont'd)

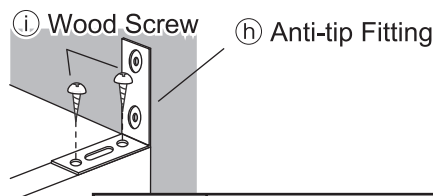
1 Install the product horizontally and flush against the wall, and fix the product and anti-tip fittings in place.

① Align the (h) anti-tip fitting with the back of the shelf and mark the positions of the two holes. Use a drill to bore holes.



Caution
 Make sure there are no gaps between the fittings and wall. Gaps may weaken the strength of the product.

② Screw the (i) wood screws into the holes drilled in step ① and fix the (h) anti-tip fittings in place.

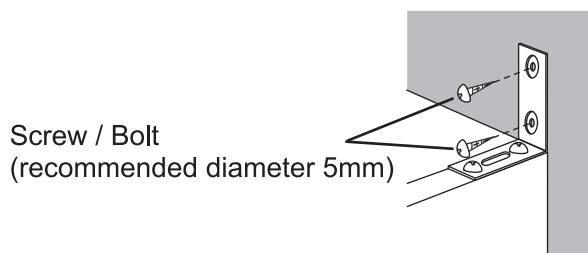


Note (Other Cautions)
 Tighten the wood screws not all the way so that the fitting can still move slightly.
 * Fully tighten the bolts after fixing to the wall in step ② and confirming the installation position.

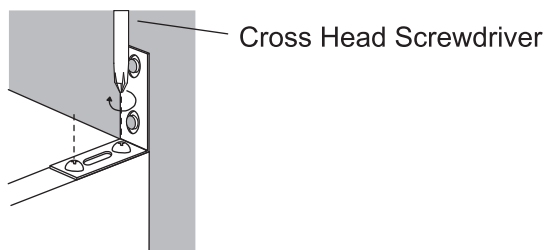
2 Fix the product with the (h) anti-tip fittings attached to the wall.

Screws needed for fixing the anti-tip fittings to the wall are not included. Refer to the figure below, and use commercially available screws or bolts to securely fix the product to the wall.

Warning
 When fixing the provided anti-tip fittings to the wall, check the condition of the wall and use the correct type of screws for the wall material. Using the wrong type of screws may result in insufficient strength, resulting in the product tipping over causing damage or unexpected injury.



3 Lastly, check the position of the product and then fully tighten the wood screws to securely fix the product in place.

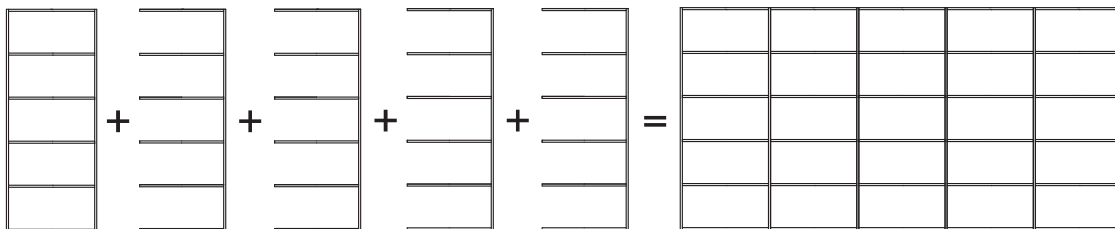


Directions for Use

Stacking Shelf/ Wide can be connected sideways to suit how you want to use them. Please refer to the usage examples and withstand load calculations below to enjoy your original storage products (illustrations are of example uses).

* Needs to be used in combination with an Additional Set (sold separately).

Horizontally Combining Vertically Standing Units



Wide Type / 5 Shelves (Standard Set) × 1 + Wide Type / Additional / 5 Shelves × 4

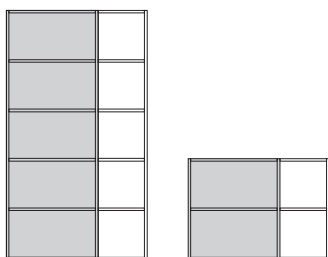
Withstand load: Overall approx. 150kg
(approx. 60kg × 5 shelves ÷ 2)

Calculating Withstand Load

Overall withstand load when using in combination
= Withstand load of shelves × quantity ÷ 2

Combining Items of Different Widths

This method is used to horizontally connect items that have different widths.

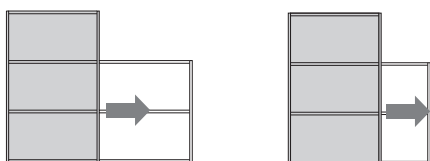


Caution

Stacking Shelf / Wide Type cannot be used horizontally even when combined with the Stacking Shelf / Regular Type.

Combining Different Numbers of Shelves

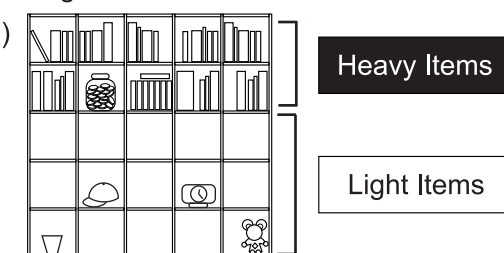
This method is used to horizontally connect vertically standing units.



Precautions for Storage

- Do not store items only in the top section. Doing so may cause the product to become unbalanced and unstable, resulting in the product tipping over and causing injury.
- Do not place heavy objects on top of the product. Doing so may result in the items falling off in the event of an earthquake, etc., or may cause the unit to fall resulting in injury.

Unstable Usage
(Example)



* The illustration shows the Regular type / 5 Shelves (Standard Set) + four Additional / 5 Shelves

Directions for Use (Cont'd)

Moving the Product

- Moving a Short Distance When Fully Assembled
 - ① Remove all stored items before moving the product. The product must be moved by at least two people, by holding the left and right side panels firmly.
 - ② Do not push or drag the product across the floor. It may cause damage on the floor or injury.
- Moving The Product For a Move, etc.

When moving the product for a move, or moving to a different room, etc., disassemble the product before moving it.
Failure to do so may result in the parts becoming deformed or bolts becoming loose, which may cause damage to the product or injury.

Disposal

- To dispose of this product, follow the rules implemented by your local government.

Care Instructions

Maintenance and Inspection

Inspect the following points regularly.

- Do not use this product if it is damaged or deformed.
- Inspect the steel pipes, bolts and installation area of anti-tip fittings for looseness and wobbling.
If you find any looseness or wobbling, immediately use a tool to firmly tighten the parts until they are no longer loose.
- Stop using this product immediately if you find any damaged parts during inspection.
Continued use in this state may result in damage to stored items or injury due to deformation or tipping over of the product.
- Take insecticidal measures immediately if any type of pest is found. If left untreated, insect damage may worsen.

Dirt and Stains

Maintenance for Wooden Sections

- Gently wipe off dust from coated surfaces using a soft cloth or duster. Rubbing dusty surfaces with a hard cloth is counter-productive as it may cause small scratches to occur. Generally, wiping off with a soft, dry cloth is sufficient for cleaning.
- If the product is particularly dirty, wipe off the dirt using a cloth soaked in watered-down neutral detergent solution, and then wipe off any detergent residue with a damp cloth. Next, gently wipe with a soft, dry cloth and let the product dry naturally.
- Do not leave a chemical duster in contact with the product for a long time, as doing so may cause discolouration or peeling of the surface coating.

Maintenance for Metal Sections

- For general care, wipe the product with a soft, dry cloth.
- If the product is particularly dirty, wipe off the dirt with a cloth soaked in a 3% to 5% neutral detergent solution. Then wipe off any detergent residue with a damp cloth. Next, gently wipe with a dry cloth and let the product dry naturally.


Usage

Cautions for Natural Wood Products

- This product is manufactured using natural wood (sliced veneer). There are differences in the grain and colour as a result of these natural materials. Please note that the wooden grains and colours of the all products are not the same.
- Please note that cracks and warping may occur in natural wood (sliced veneer) in the following conditions.
 - ① Avoid use in a place that is subject to direct sunlight wherever possible.
If use in direct sunlight is unavoidable, reduce the amount of sunlight wherever possible using curtains, etc.
 - ② Avoid use near heaters or air conditioners wherever possible. Be sure that air from heaters or air conditioners does not come into direct contact with the product.
 - ③ In particular, the dry air in the room during winter due to a heater can easily cause cracks and warping in natural wood.

Formaldehyde Countermeasures

- What is Formaldehyde?
Formaldehyde is said to be one of the causes of sick house syndrome. It is a colourless, pungent smelling compound that vaporizes at room temperature, and is found in such items as furniture, building materials and wallpaper adhesives. It is released gradually, but people in a room where formaldehyde has accumulated for a long time may experience symptoms such as eye irritations or a sore throat. A high concentration of formaldehyde may cause breathing difficulties.
- Ventilate the room.

 Caution	Ventilate the room well when installing the furniture. Small children and those who are sensitive to chemicals may have an allergic reaction.
--	---

Formaldehyde is easily dispersed in the air. Therefore, be sure to ventilate the room regularly. When several pieces of furniture are installed at the same time, open the windows widely for sufficient ventilation. More formaldehyde is released when the room humidity increases. Therefore, be careful if the room is closed for a long time during the summer, and ventilate the room thoroughly. In order to increase ventilation efficiency, it is recommended that you open multiple windows, or use a ventilation fan or air circulator.

- For Persons Who Have High Sensitivity to Chemicals
There are individual differences in resistance to chemicals other than formaldehyde that are related to sick house syndrome. Therefore, even when the actual formaldehyde value in the room is lower than the indoor concentration guideline value (indoor concentration of formaldehyde that is desirable for health), some people react to formaldehyde. At present, MUJI furniture products are made with materials that emit as little formaldehyde as possible, but this does not guarantee that no formaldehyde is emitted at all.
If an allergic reaction occurs, see a physician.
- MUJI furniture products contain formaldehyde absorption / decomposition sheets(*) as part of the packing materials.

(* Formaldehyde absorption / decomposition sheet: Jointly developed with Aisin Seiki Co., Ltd.)

If the product is used in a restricted space, formaldehyde may be re-absorbed by the material if there is nowhere for it to dissipate. Formaldehyde absorption / decomposition sheets are used to reduce the concentration of formaldehyde as much as possible before the product reaches you.

* Effectiveness of the "formaldehyde absorption / decomposition sheet" in the packaging has been expended by the time the package reaches the customer, and it can be disposed of as burnable waste.

Specifications

Product Name		STACKING SHELF / WIDE TYPE / 5 SHELVES / OAK	STACKING SHELF / WIDE TYPE / 3 SHELVES / OAK	STACKING SHELF / WIDE TYPE / 2 SHELVES / OAK
Product Dimensions		W815 × D285 × H2000mm	W815 × D285 × H1210mm	W815 × D285 × H815mm
Product Weight		Approx. 27kg	Approx. 17.5kg	Approx.13kg
Usage		Storage Furniture (Shelf)		
Withstand Load	Per Shelf	Approx. 20kg	Approx. 20kg	Approx. 20kg
	All Shelves	Approx. 60kg	Approx. 40kg	Approx. 30kg
Materials		Side Panel, Partition: Natural Wood Laminated Fibre Board (Oak Veneer Flush Structure) Steel Pipe: Steel Surface Finish: Wooden Sections: Acrylic Resin Coating Steel Pipe: Powder Coating		
Country of Origin		Indonesia		

Product Name		STACKING SHELF / WIDE TYPE / 5 SHELVES / WALNUT	STACKING SHELF / WIDE TYPE / 3 SHELVES / WALNUT	STACKING SHELF / WIDE TYPE / 2 SHELVES / WALNUT
Product Dimensions		W815 × D285 × H2000mm	W815 × D285 × H1210mm	W815 × D285 × H815mm
Product Weight		Approx. 27kg	Approx. 17.5kg	Approx.13kg
Usage		Storage Furniture (Shelf)		
Withstand Load	Per Shelf	Approx. 20kg	Approx. 20kg	Approx. 20kg
	All Shelves	Approx. 60kg	Approx. 40kg	Approx. 30kg
Materials		Side Panel, Partition: Natural Wood Laminated Fibre Board (Walnut Veneer Flush Structure) Steel Pipe: Steel Surface Finish: Wooden Sections: Acrylic Resin Coating Steel Pipe: Powder Coating		
Country of Origin		Indonesia		

Contact Information

For your inquiry about the product, please contact the store where you bought it.

宽型

基本组套

MUJI 無印良品

保存用

组合式木架/宽型/5层/白橡木
组合式木架/宽型/3层/白橡木
组合式木架/宽型/2层/白橡木
组合式木架/宽型/5层/胡桃木
组合式木架/宽型/3层/胡桃木
组合式木架/宽型/2层/胡桃木

组装/使用说明书

本次承蒙惠购本商品，在此深表感谢。

使用前请务必仔细阅读本文，并在对内容充分理解的基础上再正确组装和使用。

此外，请务必妥善保管本文，以备随时进行确认。

目录	页
重要通知 (安全注意事项)	17 ~ 19
配件清单	19 ~ 20
各部位名称	21
组装步骤	22 ~ 24
防倒辅助金属零件的安装方法	25 ~ 26
使用方法	27 ~ 28
保养方法	28
使用注意事项	29
产品规格	30
联系方式	30

2017年3月22日



重要通知(安全注意事项)

请务必遵守。

为了防止使用者或他人遭受危害和经济损失，本文中记述了确保安全且正确使用的重要内容。请在充分理解下述内容(标示/图形符号)的基础上仔细阅读本文，并严格遵守所述事项。

● 标示说明

按错误使用所造成的危害或损失程度进行分类说明。

 警告 可能会导致使用者死亡或重伤(※1)的内容。	 注意 可能会导致使用者遭受伤害(※2)或物质损失(※3)的内容。
---	---

● 图形符号说明



通过以下图形符号对应严守的内容进行说明。(以下为图形符号范例。)

 不得执行的“禁止”内容。	 必须执行的“强制”内容。
--	--

※1 所谓重伤，是指因失明或受伤、烫烧伤、骨折、中毒、触电等原因而留下后遗症以及需住院治疗、长期就医的伤势。

※2 所谓伤害，是指无需治疗或住院、长期就医的受伤、烫烧伤。

※3 所谓物质损失，是指住房、家庭财产相关的连带损失。

 警告	
 禁止	<ul style="list-style-type: none">● 请勿让儿童吊挂或攀爬在商品上。否则可能由于商品翻倒或破损而受伤。● 请勿在商品上站立、乘坐、将其作为脚踏使用。否则可能由于商品翻倒或破损而受伤。● 请勿偏重仅在上方收纳。否则可能导致失去平衡而不平稳，造成商品翻倒而受伤。● 请勿在上方放置重物。否则由于地震等可能导致物品掉落、主体翻倒而受伤。● 请勿在商品附近使用火炉等暖气设备。否则可能引起火灾。● 请注意不要使产品压住家电产品的电源线。否则可能会因电源线断裂而导致触电、火灾。● 主体损坏时，请立即停止使用。损坏后如果持续使用，可能会导致受伤。● 请勿在拆下钢管、侧板等配件的状态下进行组装。否则可能由于强度不足，导致损坏、变形而受伤。● 请勿横向放置使用。否则产品强度下降可能导致损坏而受伤。● 螺栓、垫片、盖形螺母、毛毡、木螺钉等细小零部件请勿放在儿童可以触及的场所。否则可能会导致误吞或窒息。● 不要的包装材料请勿放置于婴幼儿可以触及的场所。否则可能有因包装材料套住头部等阻碍嘴或鼻的呼吸而导致窒息的危险。 <p>【关于附属的防倒辅助金属零件】</p> <ul style="list-style-type: none">● 请勿作为抗震用固定金属零件使用。由于地震等的振动、倚靠在商品上等过度负重时，金属零件可能会脱落导致商品翻倒而受伤。● 附属的防倒辅助金属零件或木螺钉，在损坏或变形的状态下请勿使用。否则强度降低可能会导致商品翻倒而受伤。

警告



严守

- 放置音视频设备时, 请先仔细阅读音视频设备的使用说明书再正确设置。并注意,使用时请保留充分的间隙以确保通风透气。否则可能引起电器故障或火灾。
 - 在建筑物的墙壁、天花板、地面等, 请以抗震用固定金属零件或固定部材确实固定商品。由于地震造成振动而产生过度负重时, 商品可能会翻倒而导致受伤。
- 【关于附属的防倒辅助金属零件】**
- 附属的防倒辅助金属零件为在拿出或放入收纳物品等通常使用时可减少组合架摇晃及变形, 请务必安装。在未安装的状态下使用的话, 商品可能会翻倒而导致受伤。
 - 将附属的防倒辅助金属零件固定在墙壁上时, 请确认墙壁状况后, 使用适合墙壁材质的螺钉类。如果使用不适当的螺钉将无法确保强度, 可能会由于翻倒造成商品损坏或意外受伤。
 - 固定在商品和墙壁上的螺钉等, 请确认确实安装到根部, 开始使用后也请定期检查。此外, 发生地震等强烈振动、摇晃、碰撞时也请务必确认。经检查如果发现松动, 请更换商品或防倒辅助金属零件的设置位置再安装。松动后照常使用的话, 不仅会由于金属零件脱落而导致商品过度摇晃、变形, 如果翻倒可能导致商品损坏或意外受伤。

注意



禁止

- 组装完成之前请勿使用。否则可能因固定部位脱落而导致受伤。
- 移动时请勿在地面上拖动。否则可能导致商品损坏、地面损伤。
- 请勿用于原本用途以外的其他用途。可能会导致意外事故以及受伤。
- 请勿放置超过承重的物品,即使在承重范围内也请避免局部偏重。否则可能因为商品的变形或损坏而导致受伤。
- 请勿擅自维修或改造。否则可能导致产品强度下降、受伤。
- 请勿在顶板或搁板局部集中施加负重。否则可能会导致损坏、变形等。
- 请勿在室外使用。否则发生变形或劣化可能会导致受伤。



严守

- 刚开始使用时, 请务必对室内进行充分换气。虽然已使用甲醛扩散量较少的木材,但是仍可能含有甲醛残留物, 易导致化学物质过敏体质者及婴幼儿等出现过敏症状。
- 组装时, 请注意确保组装所需的空间, 铺设铺垫物等以防止损伤地面或原有的家具。
- 组装时请务必至少由2人共同作业。一人操作可能会因商品损坏或掉落而造成受伤。
- 组装或设置时请注意避免夹到手。
- 移动时请先取出收纳物品, 并至少由两人一起搬动。如果单人拖动等强行搬动, 则可能导致受伤或商品损坏。
- 因搬家或移动到不同房间、楼层时, 请将其恢复组装前状态后再搬运。否则可能会由于钢管的连接部位发生松动、商品损坏而导致受伤。
- 请定期检查螺栓、钢管的安装状态有无松动, 发现松动时请重新紧固。松动后仍照常使用的话可能会导致损坏、受伤。

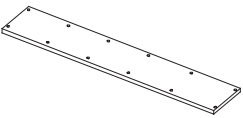
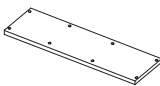
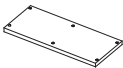



请求(其他注意事项)

- 请勿长期设置于高温场所(参考: 温度在35°C以上)或干燥的场所(参考: 湿度在30%以下)。否则可能导致产品弯曲、变形或开裂等。
- 请勿在商品上直接放置热的或湿的物品。否则可能导致弯曲或歪斜、开裂、变形等。
- 请勿使商品直接受到阳光和照明直射、以及火炉和冷暖气设备等热源及冷暖风直吹。否则可能导致弯曲、变形、开裂或变色等。
- 商品上请勿长期放置塑料制品。否则可能导致变色或涂装的剥落。
- 保养时请勿使用含有天那水等有机溶剂的布擦拭。否则可能导致变色或变形。
- 请放置于平坦、稳定的场所。如果在不平稳的场所使用, 则可能导致产品变形、损坏。
- 使用暖气设备时, 请保持适当的室内温湿度。冬季若使用暖气设备使室内极度干燥时, 有可能导致天然木材的开裂或弯曲。
- 开封后的包装材料, 请按各地区规定的方式进行废弃处理。










配件清单

白橡木 胡桃木 共通

※ 各清单中, 白橡木、胡桃木皆共通。

配件名称 \ 套装种类	宽型5层(基本组套)	宽型3层(基本组套)	宽型2层(基本组套)
① 侧板	※ 已穿孔  × 2	※ 已穿孔  × 2	※ 已穿孔  × 2
② 分隔板	 × 6	 × 4	 × 3

组装零件

配件名称 \ 套装种类	宽型5层(基本组套)	宽型3层(基本组套)	宽型2层(基本组套)
① 钢管	 × 24	 × 16	 × 12
② 螺栓	 × 12	 × 8	 × 6
③ 垫片	 × 12	 × 8	 × 6







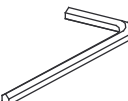
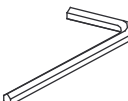
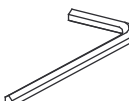



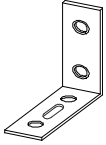
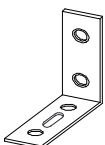
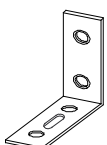



配件清单(续)

白橡木

胡桃木

共通

※ 各清单中，白橡木、胡桃木皆共通。

组装零件(续)				
配件名称	套装种类	宽型5层(基本组套)	宽型3层(基本组套)	宽型2层(基本组套)
④ 盖形螺母		 × 12	 × 8	 × 6
⑤ 毛毡		 × 4	 × 4	 × 4
⑥ 六角扳手(4mm)		 × 1	 × 1	 × 1
⑧ 刨切单板贴纸		 × 32	 × 24	 × 20
⑨ 防倒辅助金属零件 ※1		 × 2	 × 2	 × 2
⑩ 木螺钉 ※2 ※3		 × 4	 × 4	 × 4

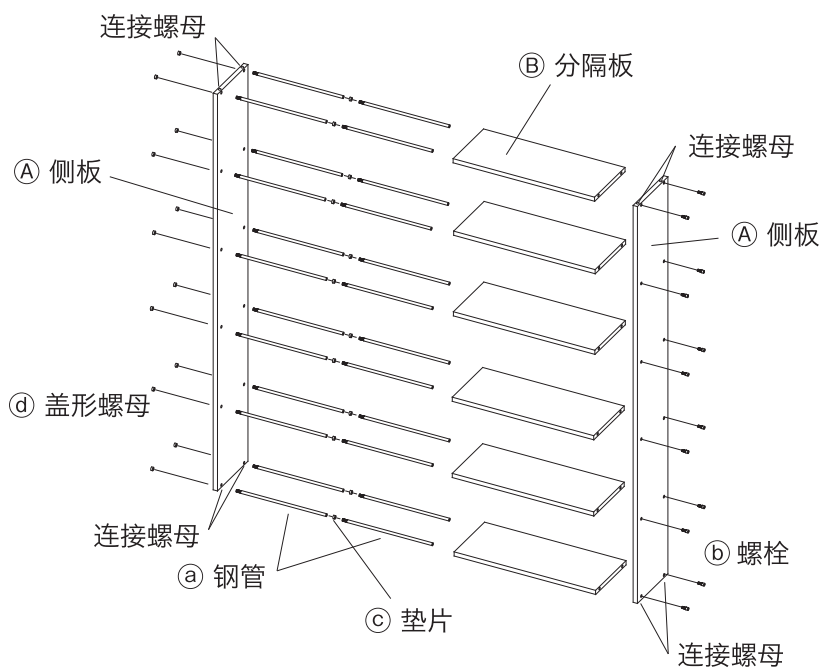
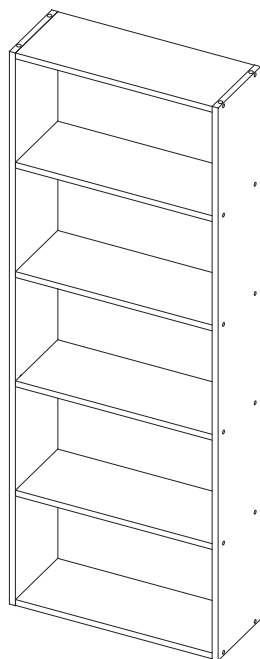
※1 包装内未含将⑨防倒辅助金属零件固定在墙壁上的螺钉类。

根据设置的状况，请顾客自行准备螺钉类零部件。

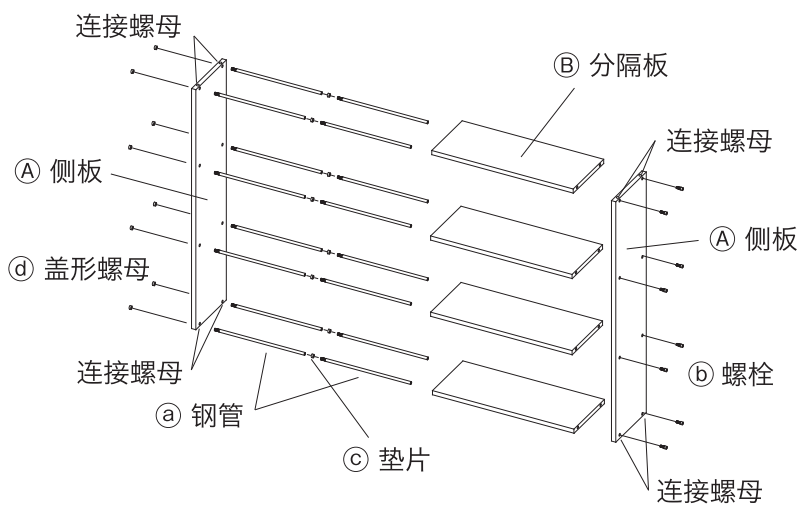
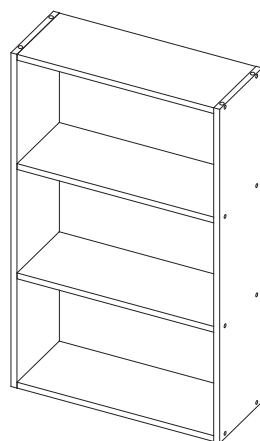
※2 此为将⑨防倒辅助金属零件安装在主体用的木螺钉。

※3 拧紧⑩木螺钉时请准备市面销售的十字型螺丝刀。

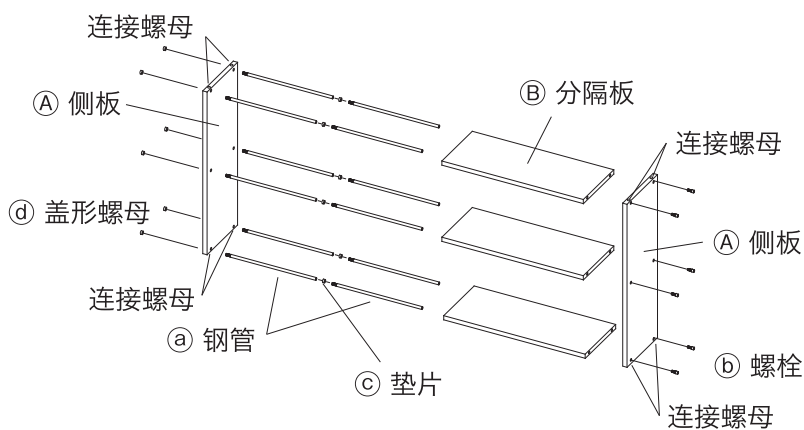
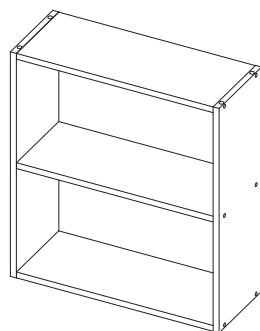
宽型5层(基本组套)



宽型3层(基本组套)



宽型2层(基本组套)




组装步骤

宽型5层 宽型3层 宽型2层 共通 / 白橡木 胡桃木 共通

※ 白橡木、胡桃木的组装步骤皆共通。

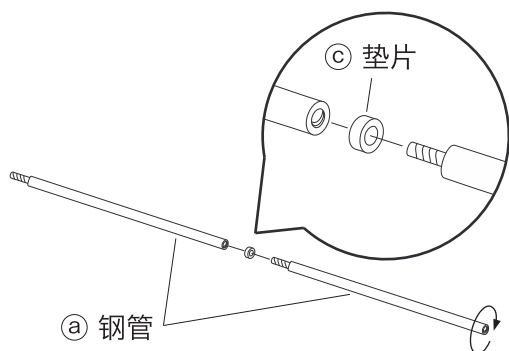
※ **5层** **3层** **2层** 所有的组装步骤皆相同，但请注意零部件的个数不同。



注意

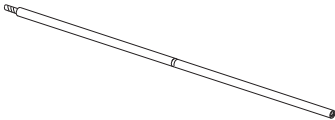
- 组装时请务必至少由2人共同作业。1人操作的话会难以持住所有零部件，会有不易组装的部分，可能会由于零部件掉落而导致损坏或受伤。
- 组装时请使用附属的六角扳手，请勿使用电动工具。电动工具可能会造成过度紧固等而损坏产品。
- 请在组装一周左右后，重新紧固螺栓。开始使用时可能会出现松动，如果照常使用可能会造成损坏或受伤。

1 将2根①钢管、1个②垫片进行连接并确认没有松动。※

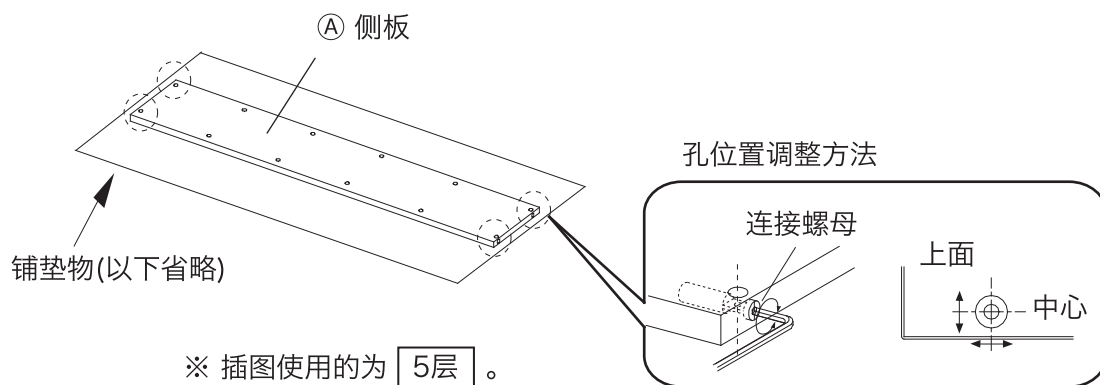


※ 需要连接的钢管根据商品的层数而有所不同。

5层	12根(①钢管24根+②垫片12个)
3层	8根(①钢管16根+②垫片8个)
2层	6根(①钢管12根+②垫片6个)



2 请在铺垫物等上面放置①侧板，按图进行调整，直到四角的连接螺母的孔对准板孔的中心。



组装步骤(续)

宽型5层

宽型3层

宽型2层

共通/

白橡木

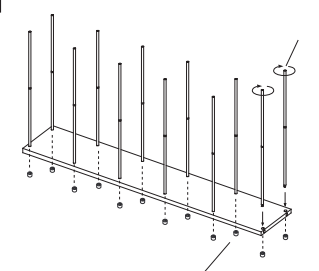
胡桃木

共通

3

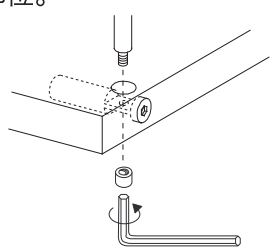
将在步骤 1 连接的钢管螺栓部分穿过(A)侧板的穿孔，从下方使用(f)六角扳手拧紧(g)盖形螺母。

5层 在步骤 1 连接的钢管 × 12

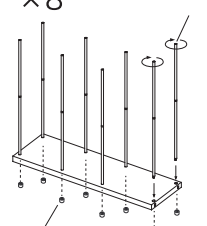


④ 盖形螺母 × 12

请使用(f)六角扳手将(g)盖形螺母拧紧在钢管的螺栓部位。

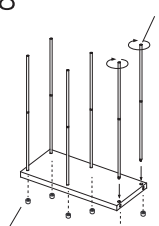


3层 在步骤 1 连接的钢管 × 8



④ 盖形螺母 × 8

2层 在步骤 1 连接的钢管 × 8



④ 盖形螺母 × 6

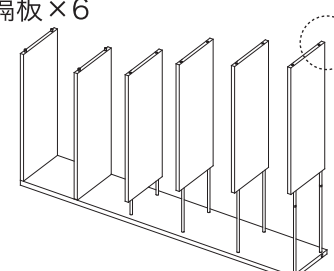
注意

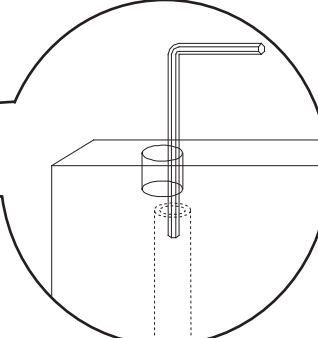
安装钢管时不需使用工具，请用手拧紧到没有松动的程度。使用工具过度拧紧的话，可能会导致损坏而受伤。

4

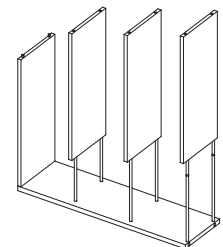
将(B)分隔板穿过已安装的钢管。

5层 (B) 分隔板 × 6

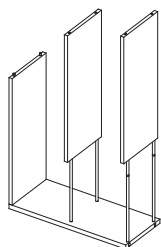




3层 (B) 分隔板 × 4



2层 (B) 分隔板 × 3



请求(其他注意事项)

请使用(f)六角扳手，试探钢管的位置并使其穿入开孔。操作时请勿过度施压否则可能会导致损坏。

※ 穿过时可能会掉出些许木屑，但在用上没有问题。

组装追加组套(另售)时

连接组装追加组套(另售)时，请按照下列的步骤 5，先不安装②的⑥螺栓，认另售的追加组套附属的“组装/使用说明书”的组装步骤 2。

组装步骤(续)

宽型5层

宽型3层

宽型2层 共通/

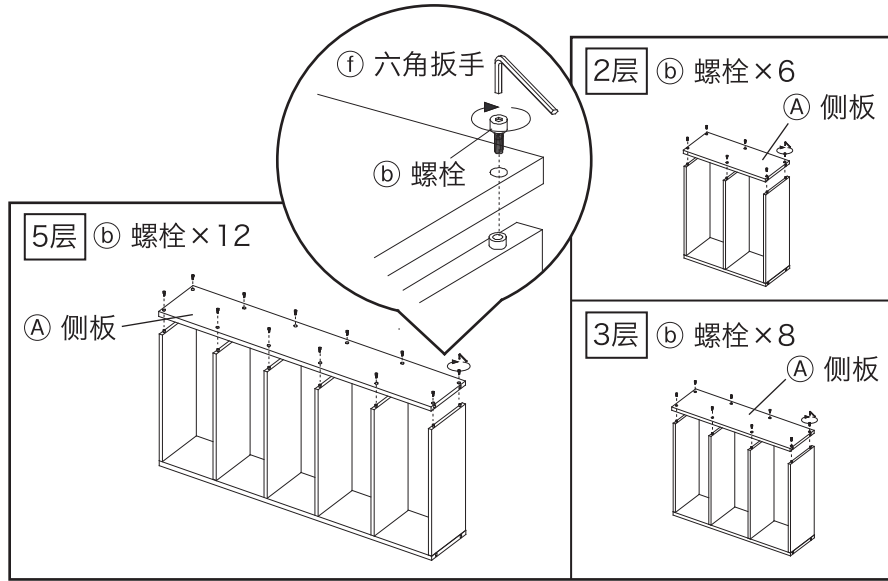
白橡木

胡桃木

共通

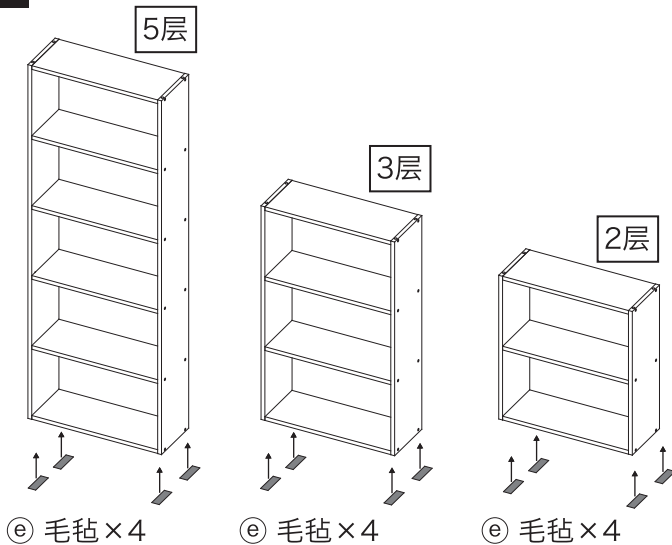
5

- ① 对准(A)侧板的孔与钢管的位置进行安装。
- ② 将(b)螺栓安装在所有开孔，使用(f)六角扳手拧紧。



6

组装后将(e)毛毡粘贴在作为底面使用的面上，再扶起商品。



注意

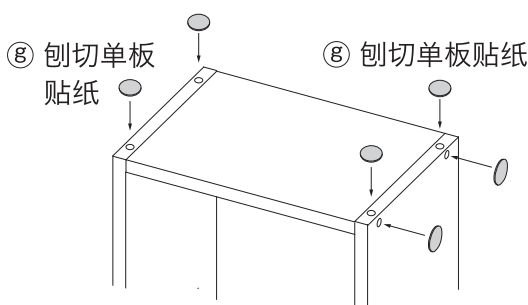
宽型不可横向放置使用。
否则强度会下降，可能导致商品损坏而受伤。

注意

- 请使用(e)毛毡以保护地面。
- 粘贴前，请先将粘贴面上的灰尘等附着物擦拭干净。带有附着物将会导致粘着力下降。
- 粘贴后，请对粘贴面整体进行按压，确保粘合均衡。

7

在看得见螺栓、盖形螺母、连接螺母的部分粘贴(8)刨切单板贴纸。
如果在意表面上可以看见金属面，请从上方配合木纹方向粘贴。



请求 (其他注意事项)

- (8)刨切单板贴纸请在按照步骤6组装后，经过一周左右，重新拧紧螺栓后再粘贴。撕除刨切单板贴纸时，表面的刨切单板可能会发生开裂。
- 由于刨切单板贴纸使用天然木材，木纹与颜色会有所差异。

完成

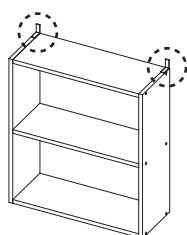
防倒辅助金属零件的安装方法



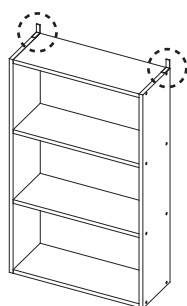
- 请务必按照以下步骤将商品牢牢固定在墙壁上。
- 该辅助配件为在拿出或放入收纳物品等通常使用时减少组合架摇晃及变形的辅助配件。(请注意其非抗震用。)

(安装示例)

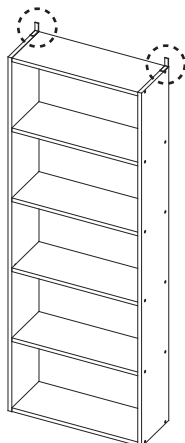
宽型2层



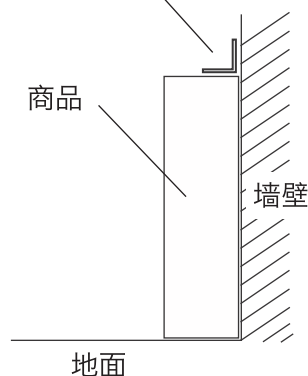
宽型3层



宽型5层



h 防倒辅助金属零件



※ 如上图，将商品配合墙壁设置并固定。

警告



- 请勿作为抗震用固定金属零件使用。由于地震等的振动、倚靠在商品上等过度负重时，金属零件可能会脱落导致商品翻倒而受伤。
- 附属的防倒辅助金属零件或木螺钉，在损坏或变形的状态下请勿使用。否则因强度降低可能会导致商品翻倒而受伤。



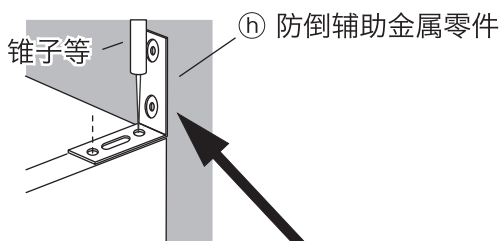
- 请务必安装附属的防倒辅助金属零件。在未安装的状态下使用的话，商品可能会翻倒而造成受伤。
- 将附属的防倒辅助金属零件固定在墙壁上时，请在确认墙壁状况后，使用适合墙壁材质的螺钉类。如果使用不适当的螺钉类将无法确保强度，可能会由于翻倒造成商品损坏或意外受伤。
- 请确认固定在商品与墙壁上的螺钉类等确实安装到根部，开始使用也请定期检查。此外，发生地震等强烈振动、摇晃、碰撞时也请务必确认。如果经检查发现松动，请更换商品或防倒辅助金属零件的设置位置再安装。
松动后照常使用的话，不仅会由于金属零件脱落而导致商品过度摇晃、变形，如果翻倒可能导致商品损坏或意外受伤。

防倒辅助金属零件的安装方法(续)

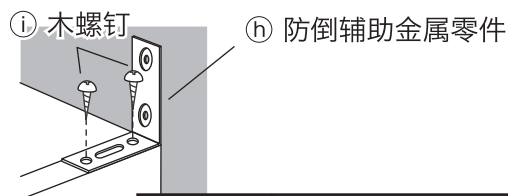
1 将主体设置在墙壁的水平位置，固定防倒辅助金属零件与商品。

① 将⑥防倒辅助金属零件对准商品，确认位置后，在前后孔的位置上做记号，随后用锥子等钻孔。

② 在①钻好的孔上，拧紧①木螺钉，固定⑥防倒辅助金属零件。



注意 与墙壁之间请勿留下空隙。否则可能会导致强度下降。

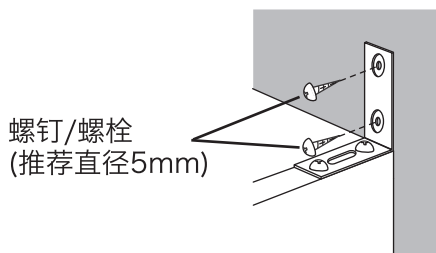


请求 (其他注意事项) 请将木螺钉固定在金属零件可以前后移动的程度。
※ 按照步骤**2**安装在墙壁后，确认位置再确实重新拧紧。

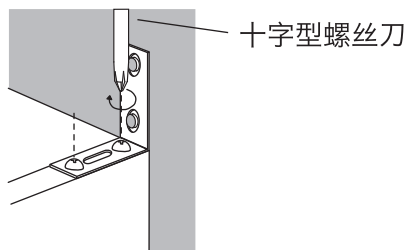
2 将安装⑥防倒辅助金属零件的商品固定在墙壁上。

由于包装内未含将防倒辅助金属零件固定在墙壁上的螺钉类，请参考下图使用市面销售的螺钉、螺栓类等确实进行固定。

警告 将附属的防倒辅助金属零件固定在墙壁上时，请确认墙壁状况后，使用适合墙壁材质的螺钉类。如果使用不适当的螺钉将无法确保强度，可能会由于翻倒造成商品损坏或意外受伤。



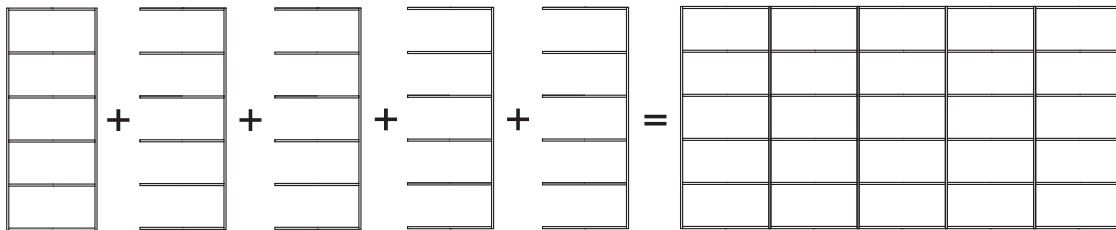
3 最后，请确认商品的位置，确实拧紧木螺钉并固定在商品上。



使用方法

组合式木架/宽型可配合使用需要横向连接使用。
请参考以下的使用示例与承重的计算方法，体验独创收纳的乐趣(插图仅为一个例)。
※ 需要与另售的追加组套组合。

主体纵向放置时横向连接的组合方法



宽型5层(基本组套) × 1 + 宽型追加5层(追加组套) × 4
承重: 整体约150kg(约60kg × 5组 ÷ 2)

承重的说明
组合使用时的整体承重= 搁板整体的承重 × 组数 ÷ 2

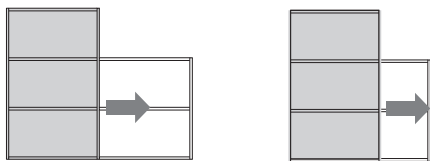
长度尺寸不同的商品组合使用时

长度尺寸不同的商品纵向设置横向连接的组合方法。



层数不同组合使用时

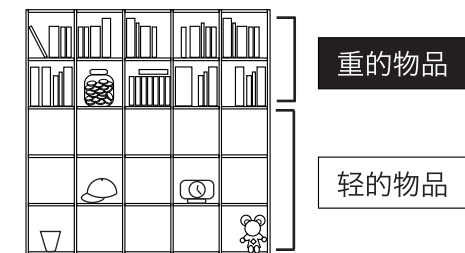
将主体纵向放置时横向连接的组合方法。



有关收纳的注意事项

- 请勿偏重仅在上方收纳。否则可能导致失去平衡而不平稳，造成商品翻倒而受伤。
- 请勿在上方放置重物。否则由于地震等可能导致物品掉落、主体翻倒而受伤。

 易造成处于不平稳状态的使用方式
(例)



※ 插图使用的为一般型的5层(基本组套) + 追加5层(追加组套) × 4。

使用方法(续)

关于移动

- 在组装后的状态下稍微移动时
 - ① 组装后移动时请务必取下收纳物品，并至少由两人从左右确实抬住侧板部分进行移动。
 - ② 请勿在地面拖动或按压。否则可能导致地面损伤或损坏。
- 搬家等需要搬运时
因搬家或需跨越房间进行移动时，请将其恢复至组装前状态后再搬动。
否则可能会由于配件变形或螺栓松动，造成商品损坏而受伤。

关于报废

- 报废时，请按各地区规定的方式进行废弃处理。

保养方法

保养/检查

请定期检查下列各点。

- 在损坏、变形的状态下请勿使用。
- 请检查钢管、螺栓及防倒辅助金属零件的安装部分有无松动或摇晃。
发现松动或摇晃时，请立即使用工具确实重新拧紧直到没有松动。
- 检查后发现损坏处所时请立即停止使用。
照常使用的话，可能会由于变形或翻倒等而导致收纳物品损坏或受伤。
- 发现虫害时，请立即杀虫及进行防虫处理。若置之不理则可能导致虫害范围扩大。

关于污垢

木质部分的保养方法

- 涂装面的灰尘请用软布或掸子轻轻掸去。若用硬布直接擦拭灰尘则会造成留下细小伤痕的不良作用。一般使用软布干擦即可。
- 污垢严重时，请用浸透中性洗涤剂稀释液的布擦除污垢，再用清水浸湿的布将洗涤剂擦拭干净。然后用柔软的干布擦拭后使其自然风干。
- 请注意，木质部长时间接触化学抹布可能会导致变色、表面剥落等现象。

金属部分的保养方法

- 平常保养时，请使用柔软的干布轻轻擦拭。
- 污垢严重时，请用经过3~5%稀释的中性洗涤剂将软布浸透后擦除污垢，再用清水浸湿的软布将洗涤剂擦拭干净。然后用柔软的干布擦拭后使其自然风干。

使用注意事项

关于天然木材产品的注意事项

- 本商品采用天然木材(刨切单板)制作，木纹及色调等均具有天然木材特有的个体差异。因此，商品会在木纹及色调上存在差异，敬请谅解。
- 天然木材(刨切单板)由于以下条件，可能会出现开裂或弯曲等，敬请注意。
 - ①请尽量避免在阳光直射的场所使用。
难以避开阳光直射的场所，请尽量使用窗帘等遮挡。
 - ②请尽量避免在冷暖气设备附近使用。请务必不要在冷暖气设备风口处使用。
 - ③尤其是冬季的暖气会使室内极度干燥时，可能导致天然木发生开裂、弯曲。

关于甲醛对策

- 何谓甲醛
据说甲醛是导致病态建筑综合症的物质之一。是一种在常温下会气化的无色且具有刺激性气味的化学物质，除了家具以外，建筑材料、粘贴墙纸使用的粘合剂等中也均含有这种物质。由于会逐渐扩散，所以如果长时间滞留于被甲醛污染的室内环境，将会刺激眼睛、导致咽喉产生不适的刺激感。如果浓度过高，还可能导致呼吸困难。
- 请对房间进行换气。



注意

设置家具后，请务必对室内进行充分换气。
否则可能导致化学物质过敏体质者及婴幼儿等出现过敏症状。

甲醛易在空气中扩散，故请在日常随时对室内进行充分换气。同时设置多款家具时，请尽量开大窗户，对室内进行充分换气。室内温度一旦升高，甲醛可能出现加速扩散的倾向，所以在夏季长时间门窗紧闭时，请务必确保充分换气。为了提高换气效率，建议同时打开多扇窗户，开启换气扇、电风扇、空气循环风扇等。

- 致化学物质过敏体质的用户
除甲醛以外，其他导致病态建筑综合症的化学物质在容许量上也均因人而异。因此，即使浓度在室内浓度标准值(不会影响健康的甲醛室内浓度值)以下，也会存在过敏反应体质的用户。我们在目前的无印良品家具上已尽力使用甲醛扩散量较少的材料，但依然无法完全阻止扩散，故请多加注意。
一旦出现过敏症状，建议立即向医生咨询。
- 无印良品的家具在封装出厂时均已放入甲醛吸附/分解纸^(※)。
(※ 甲醛吸附/分解纸：与爱信精机株式会社共同开发)
甲醛在狭窄的空间内无处可逃，可能再次被材料吸附。因此，为了尽量降低送达顾客手中的商品所附甲醛浓度，我们在封包中放入了甲醛吸附/分解纸。
※ 封包中的“甲醛吸附/分解纸”在运输等过程中性能已下降，故请作为可燃垃圾处理。

产品规格

产品名称	组合式木架 宽型/5层 白橡木	组合式木架 宽型/3层 白橡木	组合式木架 宽型/2层 白橡木
产品尺寸	长815×宽285× 高2000mm	长815×宽285× 高1210mm	长815×宽285× 高815mm
产品重量	约27kg	约17.5kg	约13kg
用途	收纳家具(组合架)		
承重	每块搁板	约20kg	约20kg
	搁板整体	约60kg	约40kg
材质	侧板、分隔板: 天然木材装饰单板贴面纤维板(橡木刨切单板 中空芯构造) 钢管: 钢 表面加工: 木质部分 丙烯酸树脂涂装 : 钢管 粉体涂装		
执行标准	GB/T 10357.5-2011		
原产国	印度尼西亚		

产品名称	组合式木架 宽型/5层 胡桃木	组合式木架 宽型/3层 胡桃木	组合式木架 宽型/2层 胡桃木
产品尺寸	长815×宽285× 高2000mm	长815×宽285× 高1210mm	长815×宽285× 高815mm
产品重量	约27kg	约17.5kg	约13kg
用途	收纳家具(组合架)		
承重	每块搁板	约20kg	约20kg
	搁板整体	约60kg	约40kg
材质	侧板、分隔板: 天然木材装饰单板贴面纤维板(胡桃木刨切单板 中空芯构造) 钢管: 钢 表面加工: 木质部分 丙烯酸树脂涂装 : 钢管 粉体涂装		
执行标准	GB/T 10357.5-2011		
原产国	印度尼西亚		

联系方式

有关商品的咨询, 请联系购买的代理商。

无印良品(上海)商业有限公司

注册地址: 上海市静安区南京西路1601号35楼

电话: 021-6375-6677

www.muji.com.cn