

## Stainless steel unit shelf Stainless steel shelf set

L / Wide L

### User Guide

Thank you for your purchase.

Read this User Guide before use to ensure correct assembly and use of the product.

Store this guide in an easily accessible place for future reference.

| Table of Contents                     | Pages   |
|---------------------------------------|---------|
| Important Information (Safety Advice) | 1 - 2   |
| Parts                                 | 3       |
| Part Names                            | 3       |
| Assembly Instructions                 | 4 - 7   |
| Attaching Anti-tip Auxiliary Parts    | 8 - 10  |
| Directions for Use                    | 11 - 12 |
| Care Instructions                     | 12      |
| Specifications                        | 13      |
| Contact Information                   | 13      |

# Important Information (Safety Advice)



The instructions must be followed.

This User Guide contains important information for safe use of the product in order to prevent harm to users and other individuals as well as damage to property.

Please note the following contents (indications and graphic symbols) before reading the main contents of this guide and follow the given instructions.

- Explanations of Indications

The extent of injury and damage that may arise when the product is used incorrectly is classified and explained with the following symbols.

|  |   |  |  |
|--|---|--|--|
|  <b>WARNING</b> | Indicates a hazard with a level of risk which, if not avoided, could result in death or serious injury <sup>*1</sup> to the user. |  <b>CAUTION</b> | Indicates a hazard with a level of risk which, if not avoided, could result in injury <sup>*2</sup> to the user or property damage <sup>*3</sup> . |
|--|---|--|--|

- Explanations of Graphic Symbols




Instructions are given in the form of the following graphic symbols. (Examples of graphic symbols are as follows.)

|  |   |
|--|---|
|  Actions that are prohibited. |  Actions that must be taken. |
|--|---|

\*1 "Serious injury" indicates injuries, such as blindness, traumas, burns, bone fractures, poisoning, or electric shocks, that have long-term effects and require hospitalisation and/or long-term hospital visits for treatment.

\*2 "Injury" indicates traumas or burns that do not require hospitalisation or long-term hospital visits for treatment.



\*3 "Property damage" indicates extended damage that involves the house or household property.

|  <b>WARNING</b> |  |
|--|--|
| <br>DON'Ts      | <ul style="list-style-type: none"> <li>• Do not let children climb on or hang from the product. Doing so may cause tip-over, damage and/or injury.</li> <li>• Do not sit/stand the product. Doing so may cause tip-over from loss of balance or product damage and may lead to injury.</li> <li>• Do not place anything heavy in the upper section. The object may fall or the product may tip over, resulting in injury in the event of an earthquake, etc.</li> <li>• Do not place on the power cord of an electrical appliance. Doing so may damage the cord, leading to electric shock or a fire.</li> <li>• Do not leave unnecessary packaging materials within reach of small children. Children may accidentally pull them over their head, cover their mouth and/or nose and suffocate.</li> <li>• Do not keep the parts within reach of small children and be careful not to lose them. Small parts may cause accidental swallowing and choking.</li> </ul> |
| <br>DOs         | <ul style="list-style-type: none"> <li>• When placing an AV equipment on the product, carefully read the instructions of the equipment, and install properly with enough space around for ventilation. Failure to do so may cause malfunction of the equipment or a fire.</li> <li>• Securely anchor the frame to the wall, floor, and/or ceiling using furniture anchors (either designated for the product or commercially available). Not doing so may cause the products to tip over and lead to injury in the event of an earthquake, etc.</li> </ul>   |

# Important Information (Safety Advice)

The instructions must be followed. (Continued)

## CAUTION

|   |   |
|---|---|
| <br>DON'Ts | <ul style="list-style-type: none"><li>• Do not lift the products when they are connected. Doing so may cause product damage and/or injury.</li><li>• Do not lift the product by holding the shelf board. The shelf board may become detached, resulting in injury or damage to property.</li><li>• Do not use unless fully assembled. Doing so may cause the fixed parts to come off and lead to injury.</li><li>• Do not drag the product. Doing so may cause product damage, floor scratches and/or injury.</li><li>• Do not use for other than its intended purpose. Doing so may cause damage to the product, resulting in injury.</li><li>• Do not place anything exceeding the withstand load or anything only on one side even if it is within the withstand load. Doing so may cause product deformation or damage and lead to injury.</li><li>• Do not allow hot items or heat from a heater, etc. to come into direct contact with the product. Touching the part that has become hot can cause burns.</li><li>• Do not attempt to repair or modify. Doing so reduces the strength of the product, leading to injury.</li><li>• Do not use outdoors. Doing so may cause deformation or severe degradation, leading to injury.</li></ul> |
| <br>DOs  | <ul style="list-style-type: none"><li>• Regularly check for any looseness in all parts, and retighten them if looseness is found. This is to prevent injury and product damage.</li><li>• Immediately stop use if damaged. Continued use of the damaged product may cause injury.</li><li>• The product must be assembled by at least two adults. Assembling it alone may cause injury, tip-over, damage and/or floor scratches.</li><li>• When moving the product, remove all the stored items and be sure to move it with at least two adults. Moving it alone may result in damage and/or injury.</li><li>• When transporting the product, put it back into the pre-assembly state beforehand. Not doing so may cause parts to come off during the transportation and lead to injury or product damage.</li><li>• Be sure to use the product with all necessary parts attached. Failure to do so may cause wobbling or damage due to reduced strength of the product, leading to injury. For details, refer to the Unit Shelf Part Quantity Checklist.</li></ul>   |

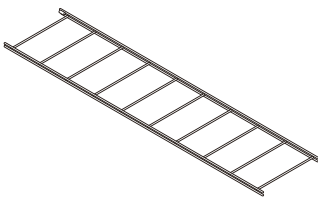
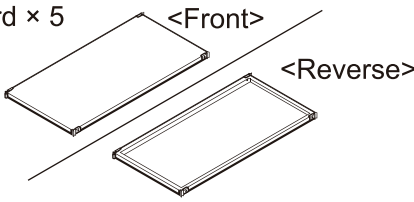
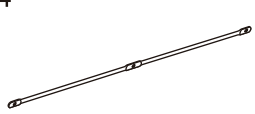
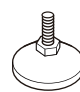
## Note (Other Caution)

|  |  |
|--|--|
|  | <ul style="list-style-type: none"><li>• Install on a flat and stable surface. Using on an unstable surface may cause product distortion or damage.</li><li>• Do not use bleach or organic solvents, such as thinner, for cleaning. Doing so may cause discolouration or deformation.</li><li>• To dispose of the packaging materials, follow the rules implemented by your local government.</li><li>• Wear gloves during assembly of the product. This is to prevent unexpected injury.</li></ul> |
|--|--|





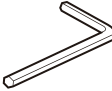
# Parts

**L** and **Wide L** types





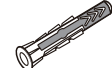

\* The product of **Wide L** type is used in the illustrations.

|  |   |
|--|---|
| <p>Ⓐ Frame × 2</p>      | <p>Ⓑ Shelf Board × 5</p>    |
| <p>Ⓒ Cross Bar × 4</p>  | <p>Ⓓ Adjuster × 4</p>  <p>* Pre-attached to Ⓐ frames for Steel Shelf Set</p> |

## Fitting Parts

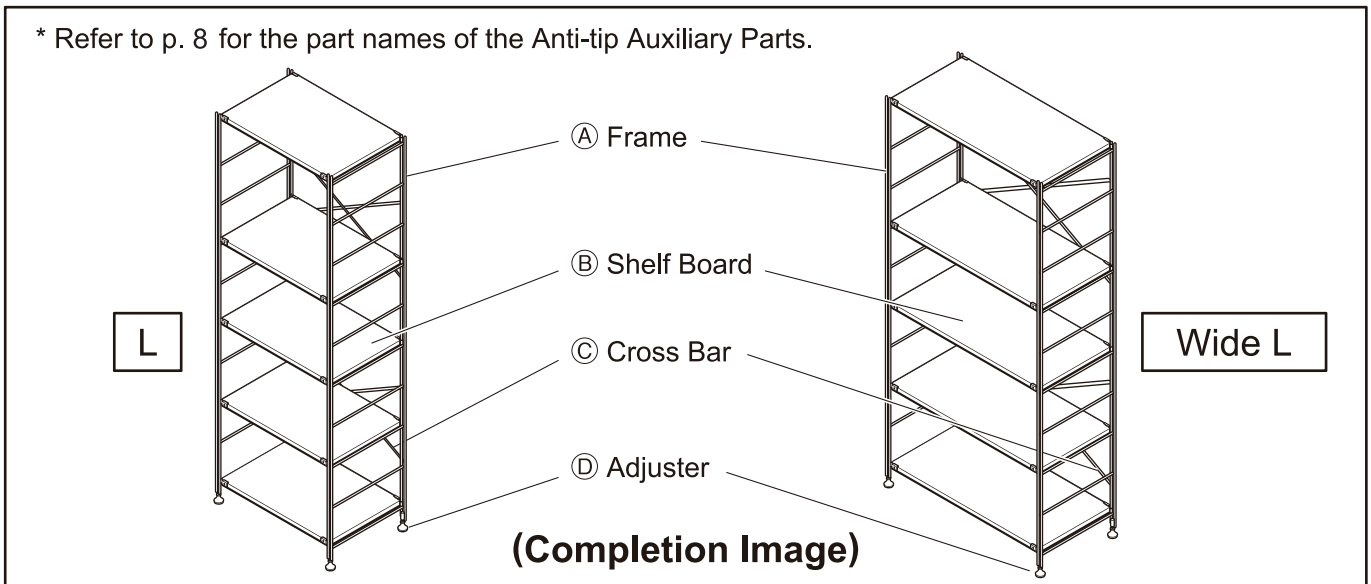
|  |   |  |  |  |
|--|---|--|--|--|
| <p>Ⓐ Bolt × 2<br/>(Used on the centre of the cross bars)</p>  <p>φ6.35 × 16 mm</p> | <p>Ⓑ Cap Nut × 2<br/>(Used on the centre of the cross bars)</p>  <p>Stainless Steel: 10 × H9.7 mm<br/>Steel: 10 × H11.5 mm</p> | <p>Ⓒ Bolt × 8</p>  <p>φ4.76 × 19 mm</p> | <p>Ⓓ Washer × 8</p>  <p>18.5 × 16 × H5 mm</p> | <p>Ⓔ Hexagonal Wrench × 1</p>  <p>4 mm</p> |
|--|---|--|--|--|

## Anti-tip Auxiliary Parts

|   |  |   |   |  |   |
|---|--|---|---|--|---|
| <p>( i ) Resin Part × 2</p>  <p>Dia. 18 × L16 mm</p> | <p>( ii ) Resin Part × 2</p>  <p>Dia. 18 × L11 mm</p> | <p>( iii ) Anti-tip Auxiliary Part Washer × 2</p>  <p>W24 × H21 mm</p> | <p>( iv ) Wood Screw × 2</p>  <p>φ4 × L64 mm</p> | <p>( v ) Anchor × 2</p>  <p>φ8.5 × L30 mm</p> | <p>( vi ) Pilot Hole Gimlet × 1</p>  <p>23 × 39 × 1 mm</p> |
|---|--|---|---|--|---|

## Part Names


\* Refer to p. 8 for the part names of the Anti-tip Auxiliary Parts.



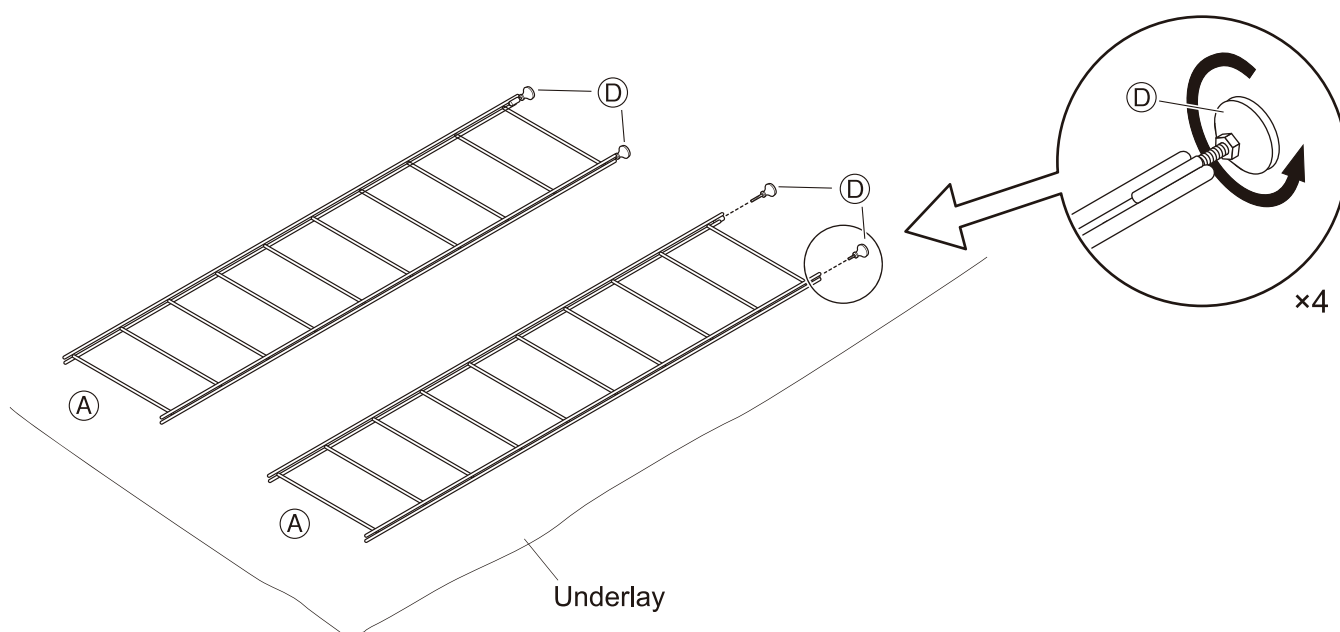
# Assembly Instructions

L and Wide L types

\* The product of Wide L type is used in the illustrations.

|   |  |
|---|--|
| <br><b>CAUTION</b> | <ul style="list-style-type: none"><li>❗ The product must be assembled by at least two adults. Assembling it alone may cause injury, tip-over, damage and/or floor scratches.</li><li>⊘ Do not use power tools to assemble the product. Placing excessive load on the product may cause damage and lead to injury.</li><li>❗ Secure enough space and place an underlay when assembling the product. This prevents the floor and other furniture from scratches.</li></ul> |
|---|--|

- 1** Place an underlay to protect the floor and assemble the product as close to the installation location as possible to reduce the need to move the product after assembly.  
Proceed to step **2** as **D** adjusters are pre-attached to **A** frames.

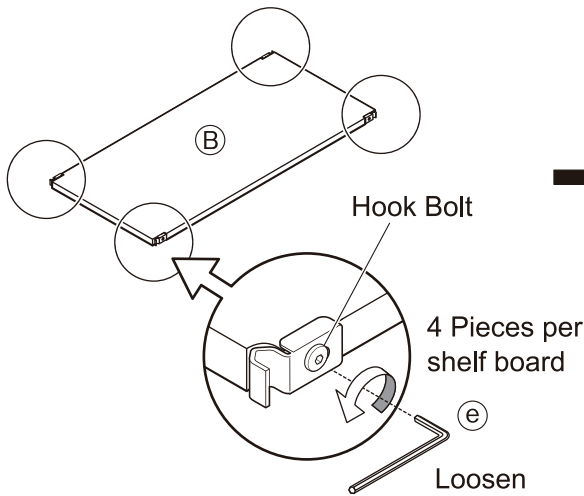


# Assembly Instructions (Continued)

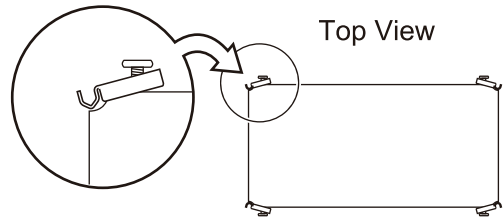
\* The product of **Wide L** type is used in the illustrations.

**2** Loosen the hook bolts in the four corners of **(B)** shelf board until the hooks can move freely using **(e)**.

Loosen the hooks

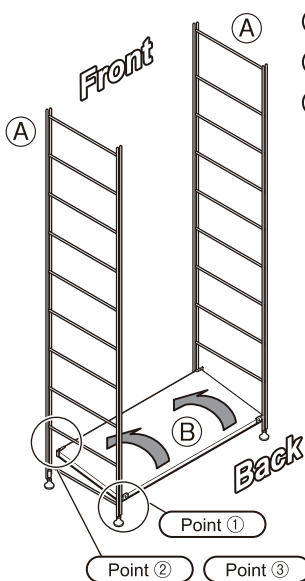


Loosen all the hook bolts on the shelf board. Make sure the hooks are hanging on the hook bolts at an angle as shown in the illustration.



**3** Install the bottom shelf board.

① Position **(B)** shelf board with the top surface facing up.

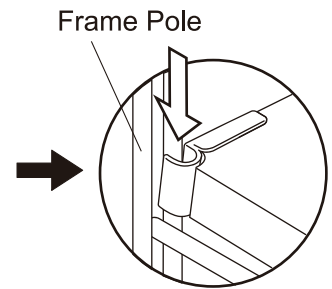
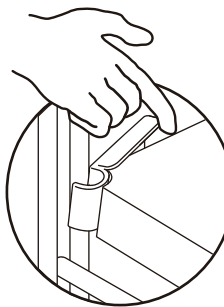
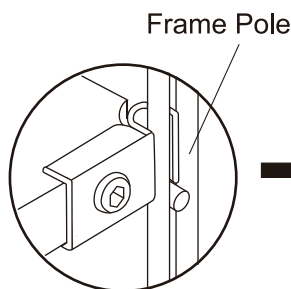


- Point ① Fit the two hooks on the back side to the frame poles of **(A)** frames.
- Point ② While pulling the hooks on the front side towards you with your fingers,
- Point ③ fit them to the front frame poles and push them down.

Point ①  
Fit

Point ②  
Pull towards you

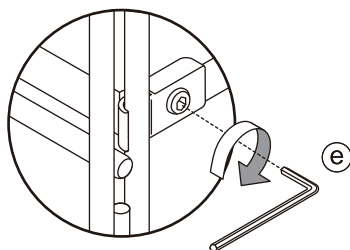
Point ③  
Push down



|                    |   |
|--------------------|---|
| <br><b>CAUTION</b> | <p>⚠ Be careful not to get your fingers caught when installing the shelf boards. Otherwise it may cause injury.</p> |
|--------------------|---|

| Installing the Shelf Boards   |  |
|---|--|
| <p>When it is hard to install the shelf board, tap the top surface gently to fit it in place. If it still does not fit, slightly loosen all of the hooks to make it fit easily.</p> |  |

② Loosely tighten the hook bolts with **(e)**.  
(Leave it loose approximately by half a turn from the tightest state.)

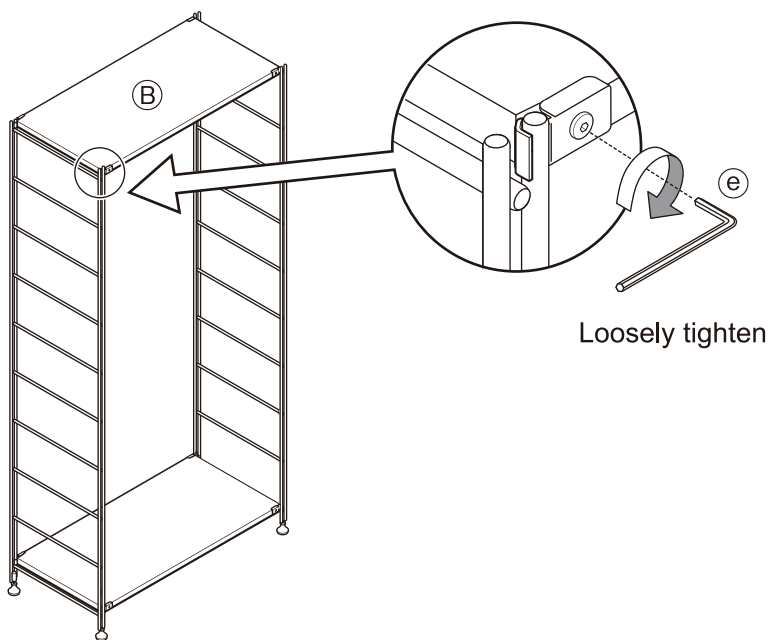


| Note<br>(Other Caution) | <p>Be careful not to over-tighten the hook bolts. It will become difficult to install the remaining shelf boards.</p> |
|-------------------------|---|
|-------------------------|---|

# Assembly Instructions (Continued)

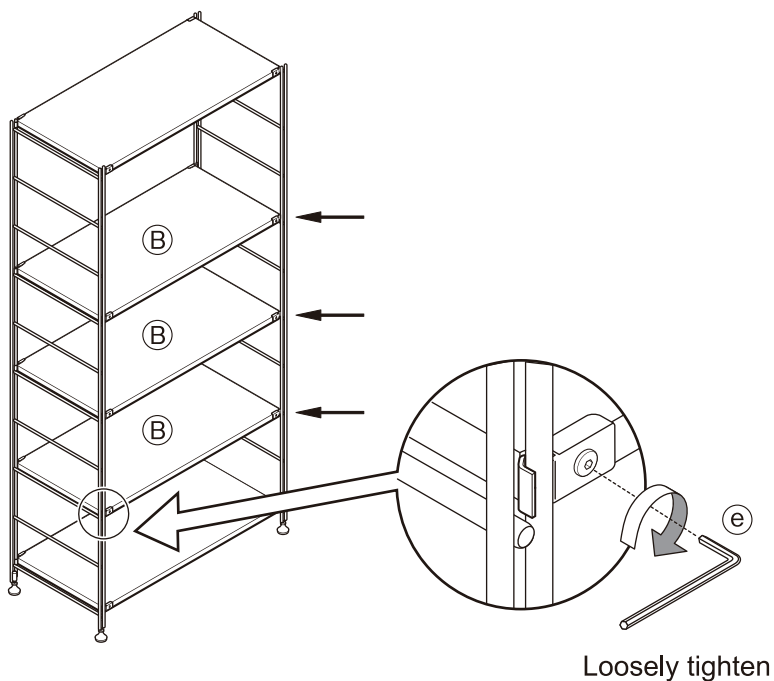
\* The product of **Wide L** type is used in the illustrations.

**4** Install **(B)** shelf board on top in the same way as step **3**.



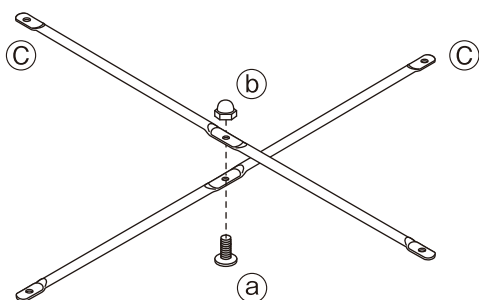
**5** Install all remaining **(B)** shelf boards in the same way as step **3**.

\* Position the shelf boards according to the height of items to be stored.

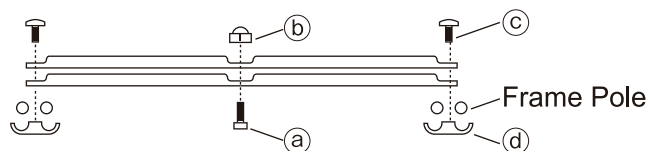


**6** Prepare to attach the cross bars.

Align the centre of **(C)** cross bars and lightly fasten them with **(a)** and **(b)**.



### Putting Cross Bar on Top of Another



\* Put a cross bar on top of another making sure they are in the same orientation as shown in the illustration above. Insert **(a)** from the flat side and put **(b)** over **(a)** from the recessed side. Then loosely tighten them.

Either bar can be on top as long as the recessed parts are aligned.

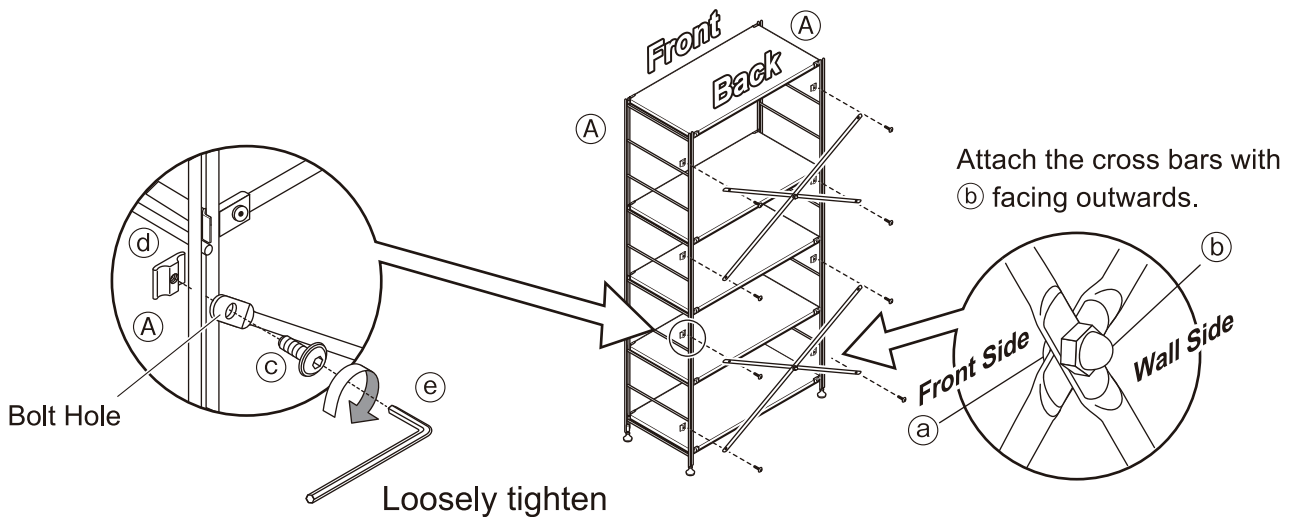
# Assembly Instructions (Continued)

\* The product of **Wide L** type is used in the illustrations.

**7** Lightly fix **6** to **(A)** frames from the back with **(d)** and **(c)**.

**Note (Other Caution)**

- If the shelf is assembled askew, the bolt holes of the cross bars may not align. In such case, slightly loosen the hook bolts on the shelf boards.



**8** Tighten the bolts. (30 places in total)

**Note (Other Caution)**

- Tighten the hook bolts on the front and back of the shelf boards alternately little by little. Fully tightening the hook bolts only on one side at a time may cause the shelf board to be installed aslant, and it will make it difficult to tighten the last hook bolt.
- Do not fully tighten one **(c)** at a time but little by little on all four places in turn. If one bolt is fully tightened at a time, it will be difficult to tighten other bolts afterwards.

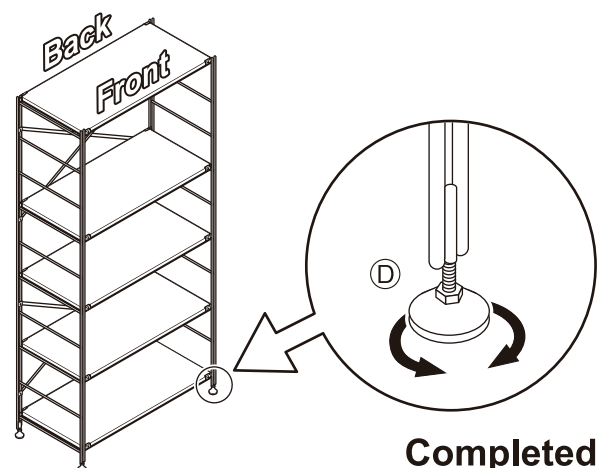
Fully tighten the hook bolts on **(B)** shelf boards that were loosely tightened in steps **3** through **5** as well as **(a)** and **(c)** on the cross bars that were loosely tightened in steps **6** and **7** using **(e)**.




**9** If the product wobbles after assembly, adjust the balance by turning **(D)** adjusters.

**CAUTION**

- ⚠ Retighten all the bolts approximately one week after assembly. They may be loose at the start of use, and continued use under this condition can lead to damage and/or injury.

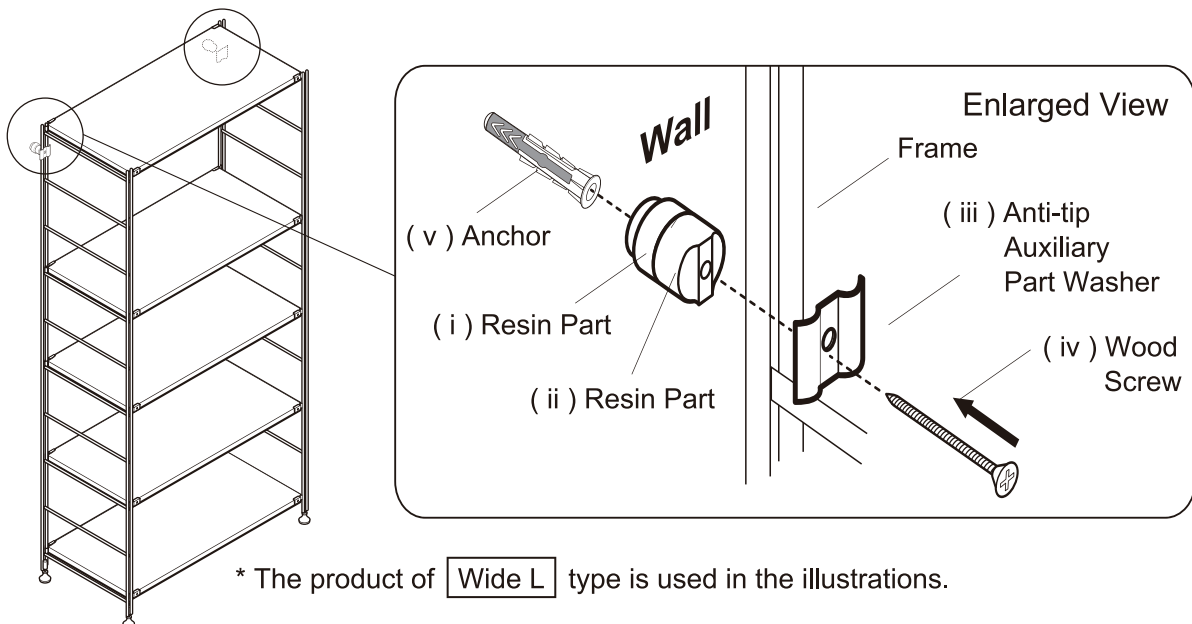


# Attaching Anti-tip Auxiliary Parts

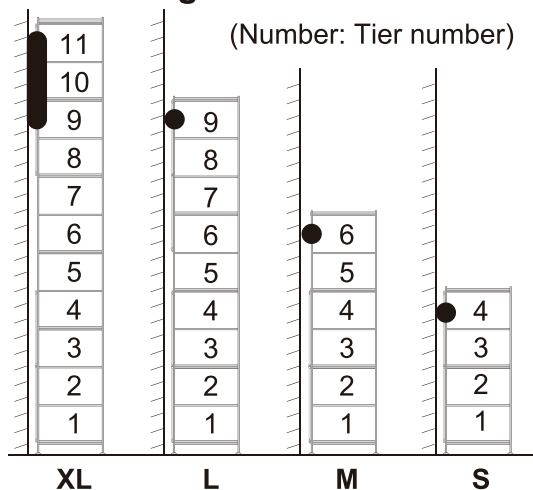
|   |   |
|---|---|
| <br><b>WARNING</b> | <ul style="list-style-type: none"> <li>⊘ Do not keep the anti-tip auxiliary parts within reach of small children and be careful not to lose them. Small parts may cause accidental swallowing and choking.</li> <li>⊘ Do not use unless fully assembled. Doing so may cause the fixed parts to come off and lead to injury.</li> <li>❗ Check the type (material) of the wall, and use screws that are suitable for the wall material. Use of unsuitable screws will cause insufficient strength and the product to tip over, resulting in damage or unexpected injury.</li> <li>❗ Read the directions on how to attach the anti-tip auxiliary parts and attach them correctly. Incorrect attachment may reduce the strength and cause the product to tip over, resulting in injury. Please note that we assume no responsibility for accidents or damage caused by incorrect attachment.</li> </ul> |
|---|---|

|                                |   |
|--------------------------------|---|
| <b>Note</b><br>(Other Caution) | <ul style="list-style-type: none"> <li>• The anti-tip auxiliary parts are designed to minimise the risk of the unit shelf tipping over, and they do not necessarily prevent accidents due to damage or falling of the stored items.</li> <li>• The parts do not provide earthquake-resistance to the unit shelf. Leaning on the shelf and vibrations from an earthquake, etc. may cause the metal parts to come off, leading to the shelf tipping over. Take an appropriate measure, such as attaching commercially available anti-tip brackets, as necessary.</li> <li>• Regularly check for any looseness in the screws.</li> </ul> |
|--------------------------------|---|

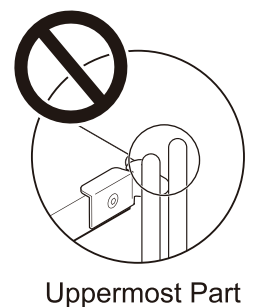
## • Part Names of Anti-tip Auxiliary Parts



## • Attaching Position



- \* The parts cannot be attached to the uppermost part of the frames.
- \* When using multiple unit shelves connected to each other, attach the parts to the frames of each unit shelf. The parts cannot be attached to the middle frame of Additional Shelf / Corner Type.
- \* Attach the parts by referring to the illustration on the left.  
 XL: Between 9th and 11th tier  
 L: 9th tier / M: 6th tier / S: 4th tier



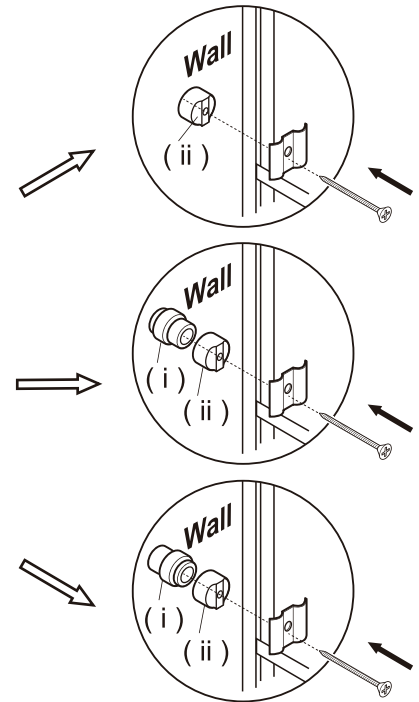
- \* Panels or wooden boxes cannot be installed to the location where the anti-tip auxiliary parts are attached.

# Attaching Anti-tip Auxiliary Parts (Continued)

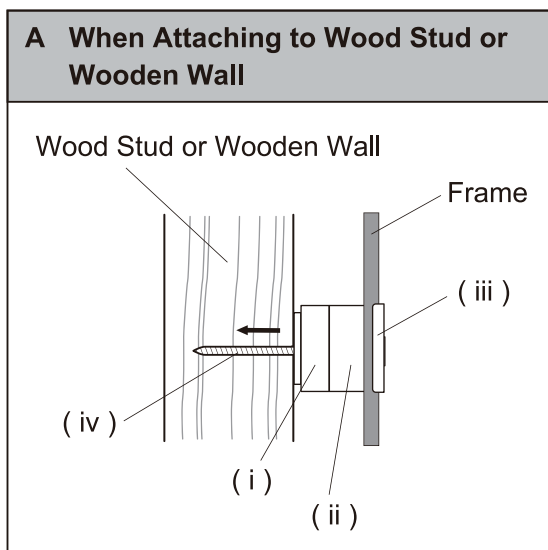
\* Screwdriver is not included. Prepare your own cross-head screwdriver of a suitable size.  
(It may be difficult to attach the parts if the screwdriver head is too large or too small.)

- 1**
- ① Temporarily position the unit shelf and check the distance between the wall and the shelf frame.
  - ② Referring to the table below, choose an appropriate combination of ( i ), ( ii ) resin parts according to the distance between the wall surface and the frame.
  - ③ Referring to the "Attaching Position" shown on the previous page, attach the parts as close to the top part of the frame in the attaching position as possible.

| ( i ) Resin Part | ( ii ) Resin Part | Side View   |
|------------------|-------------------|---|
|                  |                   | <p>Wall</p> <p>Frame ( iii )</p> <p>( ii )</p> <p>Distance between wall and frame</p> <p>9 mm</p> |
|                  |                   | <p>Frame</p> <p>( i )</p> <p>( ii )</p> <p>18 mm</p>  |
|                  |                   | <p>Frame</p> <p>( i )</p> <p>( ii )</p> <p>23 mm</p>  |



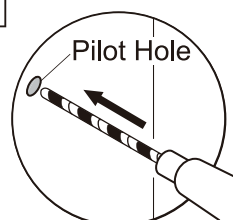
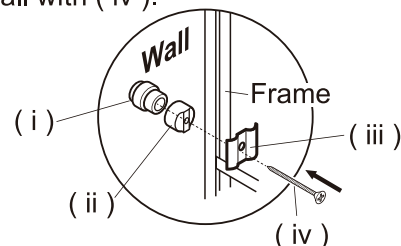
- 2** Check the wall material, and attach the parts according to any one of the procedures **A**, **B** or **C**.



- ① Put ( i ) to the wall and mark the installation hole.



- ② Set ( i ), ( ii ) and ( iii ) with the frame in between as shown in the illustration below. Then fix all the parts to the wall with ( iv ).



\* When the wall is too hard to insert the wood screw into it, make a pilot hole of 2 mm in diameter with a drill to help make it easier.

# Attaching Anti-tip Auxiliary Parts (Continued)

**B When Attaching to Plasterboard Wall**

Plasterboard Wall

Frame

(iii)

(iv) (v)

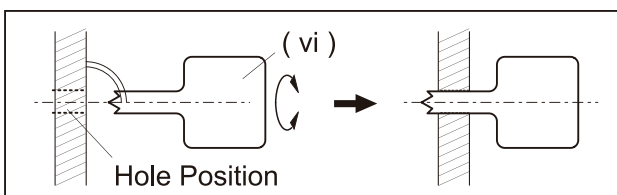
(i) (ii)

\* The parts cannot be attached to the plasterboard wall of 9.5 mm thick or less.

## Using (vi) pilot hole gimlet

**CAUTION**

❗ Drill a pilot hole perpendicular to the wall. If drilled at an angle, the pilot hole becomes large, and (v) anchor will not correctly fit the hole.



**C When Attaching to Concrete or Brick Wall**

Concrete or Brick Wall

Frame

(iii)

(iv) (v)

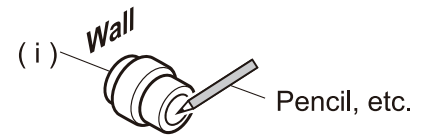
(i) (ii)

\* Use of a specialised tool (electric drill) is required.

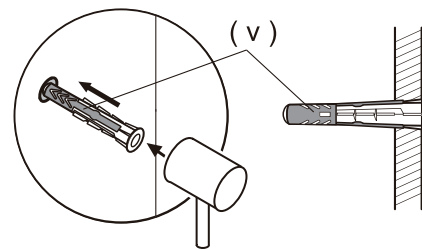
**CAUTION**

- ❗ When using an electric tool etc., slowly tighten the screw at a low speed setting.
- ⊗ Do not use the parts on concrete walls with a thickness less than 150 mm.
- ❗ Lightly tap (v) anchor with a mallet, etc. to fully insert it into the wall.
- ❗ Tighten (iv) wood screw until the head is flush with (iii) anti-tip auxiliary part washer and you feel resistance, and then give it one or two more turns.

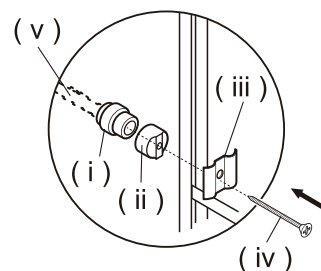
- ① Put (i) to the wall and mark the installation hole.



- ② Drill a pilot hole through the plasterboard on the mark by turning (vi) left and right. Using a rubber mallet, etc., firmly tap (v) into the hole.



- ③ Set (i), (ii) and (iii) with the frame in between as shown in the illustration below, and fix the parts to (v) that has been inserted into the wall using (iv).



- ① Drill a pilot hole of 6 mm in diameter on the mark in the same way as **B** using a specialised tool (electric drill).

(Drill to a depth of approx. 60 mm)

- ② Insert (v) into the pilot hole in the same way as **B**.

- ③ Set (i), (ii) and (iii) with the frame in between as shown in the illustration above, and fix the parts to (v) that has been inserted into the wall using (iv).

# Directions for Use

## [Unit Shelf Part Quantity Checklist]

\* Check  .

| Frame Size<br>Part Name                 | XL | L | M | S | Mini |
|---|----|---|---|---|------|
| Shelf Board or Frame Reinforcement Part | 4  | 3 | 3 | 2 | 3    |
| Cross Bar (Pair)                        | 2  | 2 | 1 | 1 | 0    |

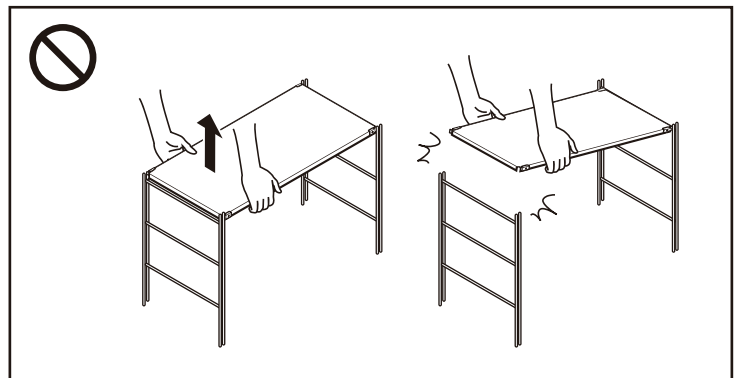
\* The strength of the product varies depending on the installation positions of the shelf boards. Even if more than the required number of shelf boards are installed, placing items on one side of the product may affect the strength of the product. Especially, installing no shelf board on top or bottom part of the shelf or leaving large spaces between the shelf boards may cause the product to tip over. Be sure to install the shelf boards with an equal space in between.

\* Make sure to install required number of the shelf boards for the products of W112 cm and W42 cm types as there are no frame reinforcement parts available.

## Moving the Shelf

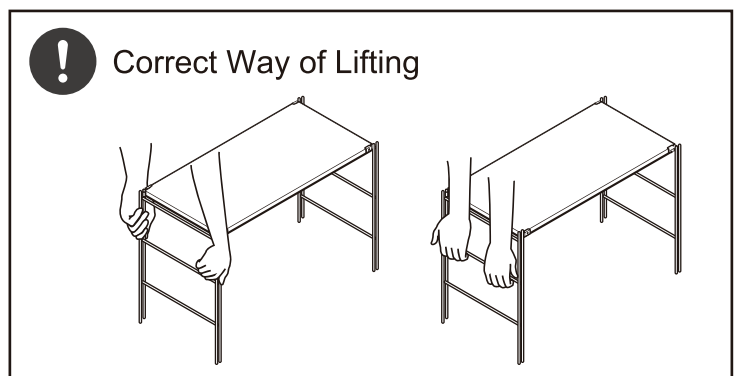
### <Moving the Fully Assembled Product>

- Do not lift the product by holding the shelf board. The shelf board may be detached, resulting in injury or damage to the stored items.
- When moving the product after assembly, remove all stored items beforehand. The product must be moved by two or more adults holding the frames firmly from both sides. Moving it alone may result in damage and/or injury.
- Do not push or drag the product across the floor. Doing so may cause floor scratches and/or product damage.



### <Transporting the Product for a Home Move, etc.>

- When transporting the product, put it back into the pre-assembly state beforehand. Not doing so may cause parts to come off and lead to injury or product damage.



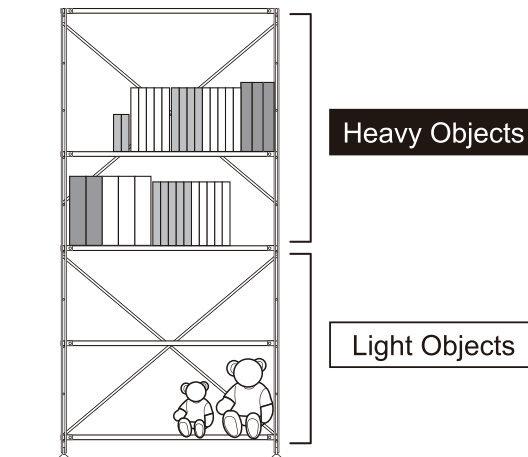
## Directions for Use (Continued)

---



⊘ Do not place anything heavy in the upper section. The object may fall or the product may tip over, resulting in injury in the event of an earthquake, etc.

⊘ Unstable State  
(Example)



### Disposal

- To dispose of the product, follow the rules implemented by your local government.

## Care Instructions

---

### Maintenance and Inspection

- Do not use if damaged or deformed.
- Regularly check for any looseness in all parts, and retighten them if looseness is found. This is to prevent injury and product damage.

### Maintenance for Metal Parts

- For regular cleaning, wipe with a soft, dry cloth.
- If the product is heavily soiled, clean it with a cloth soaked in 3 - 5% neutral detergent solution and wipe off any detergent residue with a damp cloth. Then gently wipe with a dry cloth and let it dry naturally.

