

MUJI

Stacking Chest

Open type/drawers*2 tiers/ drawers*4 drawers
 Top board for the stacking chest (applicable for all types)
 Stand for the stacking chest

Instructions for assembly and use For permanent use

- Thank you for purchasing this product
- Make sure that you read this before usage.
- Make sure that you keep these instructions.

Precautions

Please make sure you read this before assembly.

- *Make sure you have sufficient space for assembly and lay out a protective sheet so that the floor and nearby furniture are not damaged.
- *Please do not use power tools to fix the parts for fitting.
- *There is no screw driver included in the pack. Please use your own.

Stacking chest/main body

OPEN TYPE	2-TIER DRAWER TYPE	4 DRAWER TYPE
[Items included]		
<ul style="list-style-type: none"> • Moveable shelf × 1 • Wire rails × 2 • Connection pins × 2 • Non-slip parts × 4 • Felt × 4 	<ul style="list-style-type: none"> • Connection pins × 2 • Non-slip parts × 4 • Felt × 4 	<ul style="list-style-type: none"> • Connection pins × 2 • Non-slip parts × 4 • Felt × 4
■ Load-bearing amount	■ Load-bearing amount	■ Load-bearing amount
Top board: 5 kg Moveable shelf: 3kg Total unit: 5kg	Top board: 5 kg Each drawer: 3kg Total unit: 5kg	Top board: 5 kg Each drawer: 2kg Total unit: 5kg

Precautions

- In the case when the product is put directly on the floor
 - ... as a measure to prevent scratching please use the felt included in the pack and attach it to 4 places on the bottom surface of the product.
 - Inside the stacking shelf or if used in a place where there is the danger of it falling over
 - ... Please use after attaching the non-slip parts.

Additional parts/Top board

Top board for the 4-row type stacking chest	Top board for the 3-row type stacking chest
■ Load-bearing amount	■ Load-bearing amount
Fitted to the main body 1 tier: 65kg / 2tiers, 3tiers: 40kg *Use correctly after reading the Precautions.	Fitted to the main body 1 tier: 40kg / 2tiers, 3tiers: 30kg *Use correctly after reading the Precautions.

Additional parts/stand

Stand for stacking chest	Stand for stacking chest-3-row type	Stand for stacking chest-4-row type
[Parts included]	[Parts included]	[Parts included]
• Connection pins × 2	• Connection pins × 6	• Connection pins × 8

Sold separately Joint Parts

Metal joint fittings for pulp board (set of 2) To stop slippage

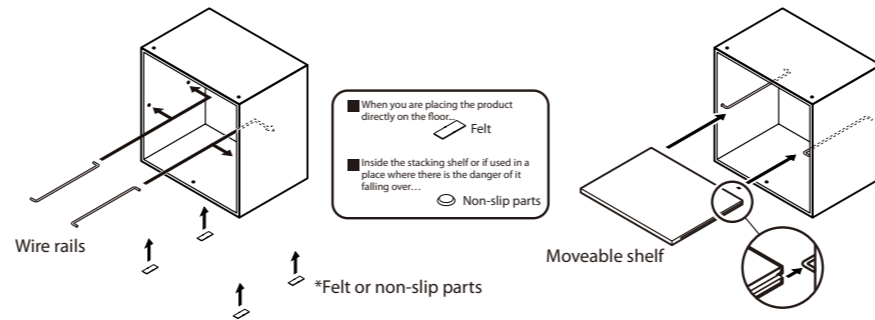
*Make sure you use the metal joint fittings for pulp board on the rear side when attaching the top board or the stand to the main body or vertically stacking the main body of the chest.

*Please use your own screw driver when fitting the parts.

[Basic Steps]

How to install the shelves (open type only)

1 First of all, lay a protective sheet down on the product assembly area and then place the product on it. Insert the wire-rails included in the pack into the holes in the inside as shown in the diagram below. Fit the wire rails in the grooves in the moveable shelves and firmly push them in. The moveable shelves can be fitted either vertically or horizontally. When you are using them as partitions fit them horizontally.



How to stack vertically (applicable to all types)

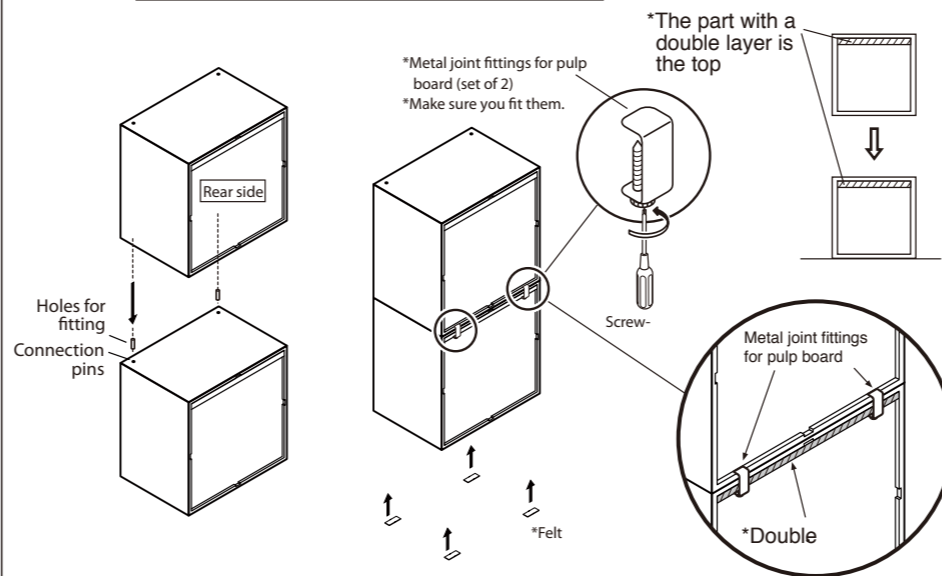
2 When you are stacking the chests vertically, attach them to the main body by inserting the pins included in the pack into the attachment holes on the upper surface. (*It is possible to stack up to 3 tiers at the most) Next, fasten tightly the "metal joint fittings for pulp board (set of 2)" sold separately to the back. (Fasten them from the bottom upwards as shown in the diagram below) *Please attach the felt included in the pack to the 4 places on the bottom

Precautions

When moving the main body of the product, either take out the stored items from inside and push the lower tier or take out the metal fittings and move each tier separately. If you only lift the upper tier there is the danger that the lower tiers will become

Precautions

When you are stacking the main body of the product, be careful to set up the product in a vertical direction.

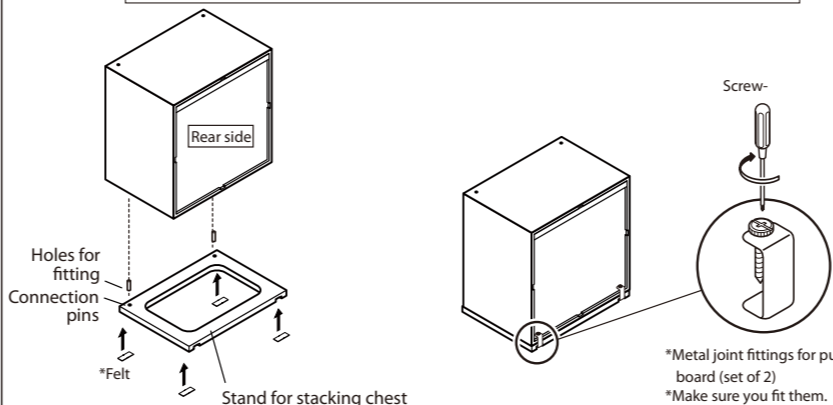


How to install the stand (applicable to all types)

3 When you are installing the stand, insert the connection pins into the attachment holes on the upper surface of the stand and fix to the main body. Next, follow the same steps as described in [2] and tightly fasten "metal joint fittings for pulp board (set of 2)" to the back. (Fasten them from the bottom upwards as shown in the diagram below) Please attach the felt included in the pack to the 4 places on the bottom.

Precautions

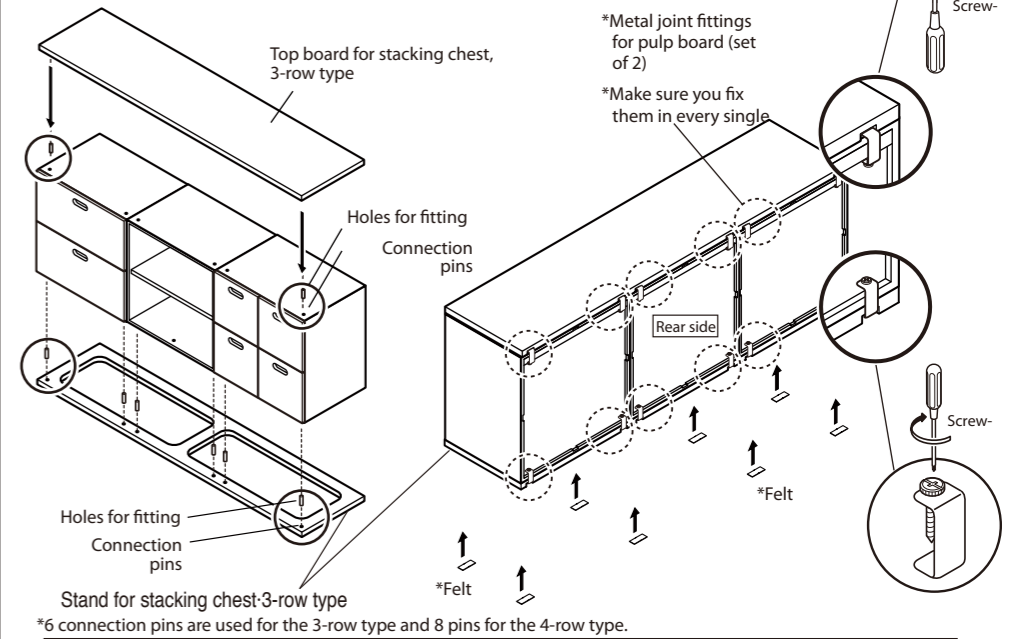
Be careful when you are moving the product. When you lift the main body there is the danger that the stand will become detached.



[Connecting units]

How to install the top board/stand for rows of 3 and 4 (applicable for all types)

4 When you put a row of chests together and attach the top board, insert the connection pins in the attachment holes on both sides of the lined-up chests. (*The diagram below shows the use of a top board for the 3-row type) Next, following the same steps described in "Basic step [2]" fasten tightly the "metal joint fittings for pulp board (set of 2)" to the back. (Fasten them from the bottom upwards as shown in the diagram below)

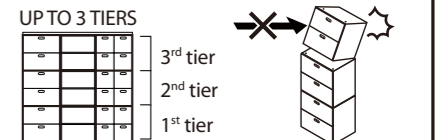


Precautions

Be careful when you are moving the product. When you lift the main body there is the danger that the product will become unstable.

! Please be careful

- When using the top board it is not possible to use it with the middle part or ends of the stacking chest missing. There is the danger that main body of the chest may
- When you are stacking the chests vertically, it is only possible to use the product adjacent to the wall and up to 3 tiers high.
- Please be careful not to forcefully push the upper tiers as

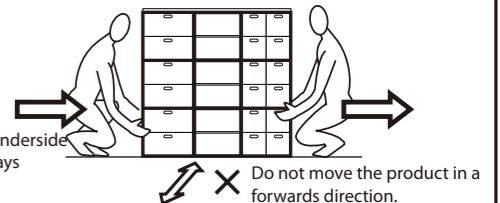


*As the chest can easily become unstable, do not put heavy items in the top part only.

- When placing the television on the chest, use only the first tier.
- As there is the danger that the television may fall down, please secure it on the wall side.
- Do not secure it to the top board of the chest or the main body of the chest.
- The standard size of a television that can be placed on the chest is up to 42 inches but it is not possible to place a television set or screen on it that protrudes over the edge of
- When you are moving the main body do not lift up the top board. If you hold the front part of the top board with your hands it can rise up and there is the danger that items may fall off, you may



- When you are moving the product with the top board on, take out all of the items stored inside and two people should move it by pushing the underside in a sideways direction.
- Do not move the product in a forwards direction. There are cases of the chest units becoming dislodged, damage, breakage and the furniture falling over and causing unforeseen accidents.
- Also, if the floor is not smooth enough for the furniture to slide easily, make sure that you remove the metal joint fittings and move the



- Precautions**
- After using the product for about a week please re-fasten the metal joint fittings and other parts.
 - Do not put an excessive load on the product by storing items in one place. Also, do not forcefully pull the product or move it in any direction apart from the direction it is being moved. This can make the product fall over, come apart or fall down and cause unforeseen accidents.
 - Please confirm the safety of the product while using it by regularly checking that the assembled metal joint fittings and other parts have not become loose.
 - Please be aware that usage in conditions of direct sunlight, hot air from such as heaters, high temperature or high moisture can cause changes in shape or the growth of mould. Take precautions.
 - When you are moving the product in a stacked state (without the top board), please proceed after removing the metal joint fittings.
 - If you have any questions about how to set up or use the product that are not covered in the "Instructions for assembly and use," on this page and the "Precautions for use" on a separate page, please contact the shop where you purchased the product.
 - The materials used in this product have a particular odor. Please avoid storing items such as clothes when there is concern that the